

SUBMITTAL TRANSMITTAL

CONTRACTOR'S REVIEW STAMP

A/E REVIEW STAMP

DENCO CONSTRUCTION SPECIALISTS SHOP DRAWING AND SUBMITTAL REVIEW

JOB NO. DPA-330000
DATE 6-18-18
REVIEWER Shawnee Hallmark

Corrections or comments made relative to submittals during this review do not relieve the subcontractor from compliance with the requirements of the drawings and specifications. This check is only for review of general conformance with the design concept of the project and general compliance with the information given in the contract documents. The subcontractor is responsible for conforming and correlating all quantities and dimensions, selecting fabrication processes and techniques of construction, coordinating his work with that of other trades and performing his work in a safe and satisfactory manner.

**THIS REVIEW DOES NOT INDICATE NOR IMPLY ANY APPROVAL
OF CHANGES TO TIME OR CHANGES IN COSTS**

C - Revise And Resubmit	
SUBMITTAL REVIEW	
PERKINS	See Submittal Transmittal for important qualifications and limitations.
+ WILL	
Project No.:	<u>146054.000</u>
Submittal ID.:	<u>10 73 23-001</u>
Reviewed By:	<u>Tori Wickard</u>
Date:	<u>6/20/2018</u>

SUBMITTAL DATA

Project Dallas Park & Rec Dept Admin Offices Location 10031 E. Northwest Highway Dallas, TX 75238

General Contractor DENCO CONSTRUCTION SPECIALISTS

Trade Specialties

Items Submitted Carport

Supplier Southern Shade

Phone 469-682-8592

Substitutions and Deviations _____

Remarks _____

I CERTIFY THAT THE ABOVE ITEM DESCRIBED IN THE ATTACHED SUBMITTAL COMPLIES WITH THE CONTRACT DOCUMENTS EXCEPT AS NOTED ABOVE.

Shawnee Hallmark

NAME (TRADE)

Review Comments: _____

Submit the following items. They may be submitted separately but shop drawings need all to convey all information listed in specs:

1.3 ACTION SUBMITTALS

A. Product Data: For each type of product:

1. Include styles, material descriptions, construction details, fabrication details, dimensions of individual components and profiles, hardware, fittings, mounting accessories, features, and finishes for shelters.
2. Include rated capacities and furnished specialties and accessories.

B. Shop Drawings:

1. Include plans, elevations, sections, mounting heights, and details for attachment to other work.
2. Anchor-Bolt Plans: Submit anchor-bolt plans and templates. Include location, diameter, and projection of anchor bolts required to attach shelters to concrete bases. Indicate post reactions at each location

C. Samples for Initial Selection: For each type of exposed finish.

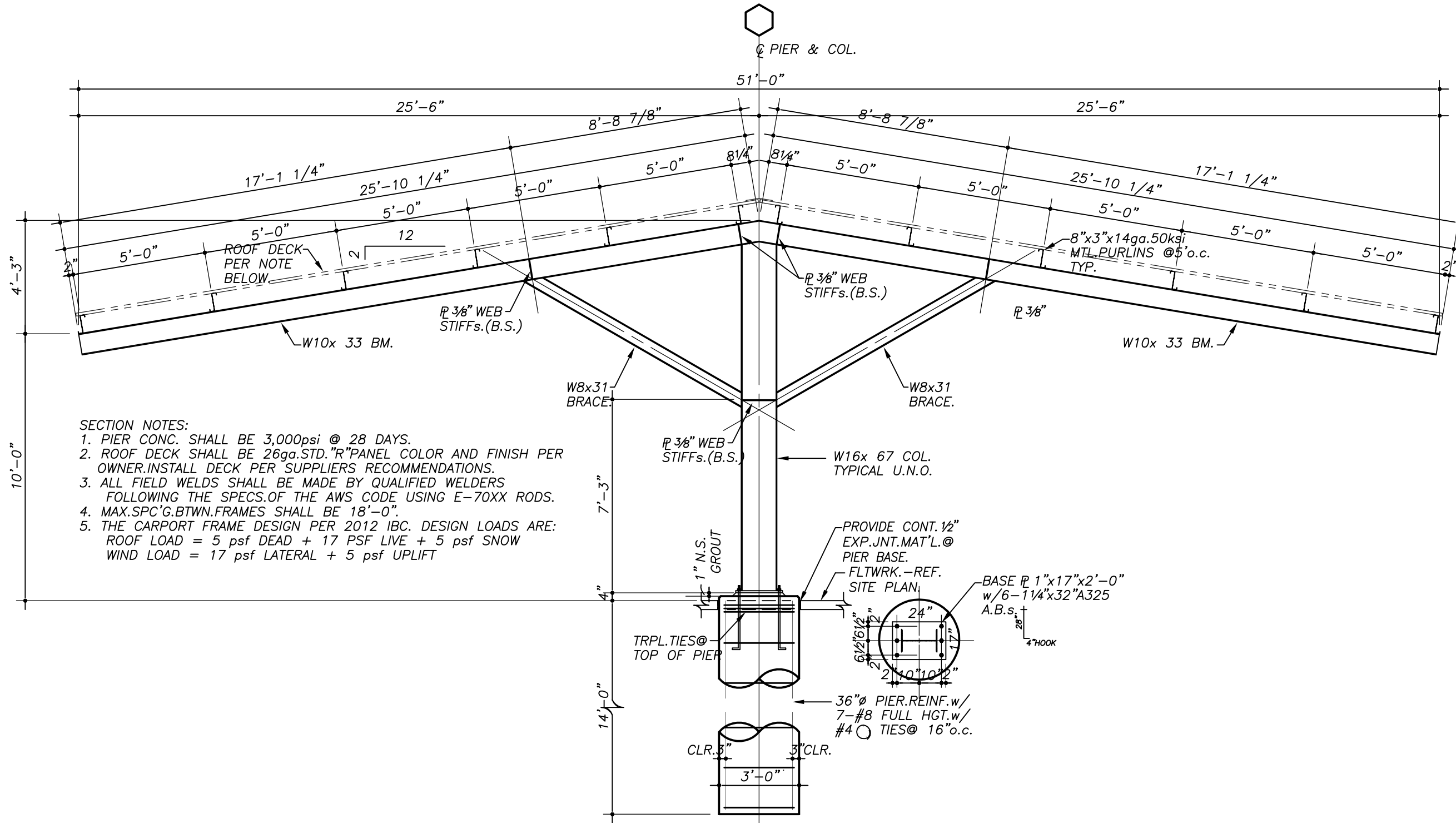
D. Samples for Verification: For the following:

1. Shade Fabric: 12-inch- (300-mm-) square section of fabric from dye lot to be used for the Work, with specified treatments applied. Mark face of fabric.
2. Frame Finish: Not less than 6-inch (150-mm) lengths.

1.4 INFORMATIONAL SUBMITTALS

A. Delegated-Design Submittal: For cantilevered car shelters.

B. Sample Warranty: For manufacturer's special warranty.



- SECTION NOTES:
1. PIER CONC. SHALL BE 3,000psi @ 28 DAYS.
 2. ROOF DECK SHALL BE 26ga.STD."R" PANEL COLOR AND FINISH PER OWNER.INSTALL DECK PER SUPPLIERS RECOMMENDATIONS.
 3. ALL FIELD WELDS SHALL BE MADE BY QUALIFIED WELDERS FOLLOWING THE SPECS.OF THE AWS CODE USING E-70XX RODS.
 4. MAX.SPC'G.BTWN.FRAMES SHALL BE 18'-0".
 5. THE CARPORT FRAME DESIGN PER 2012 IBC. DESIGN LOADS ARE:
 ROOF LOAD = 5 psf DEAD + 17 PSF LIVE + 5 psf SNOW
 WIND LOAD = 17 psf LATERAL + 5 psf UPLIFT

TYPICAL CARPORT WIND
 FRAME SECTION
 (MAX.SP'CG.BTWN.FRAMES=18'-0")

SCALE:1/4"=1'-0"

RCE # 17010

COVERED PARKING STRUCTURE SUPPORT FRAME SECTION
 @ 10031 E.Northwest Hwy., Dallas, TX
 For DENCO CS, Inc., Garland, TX
 Date: 2/27/17
 Drw'g. No.: SK-1