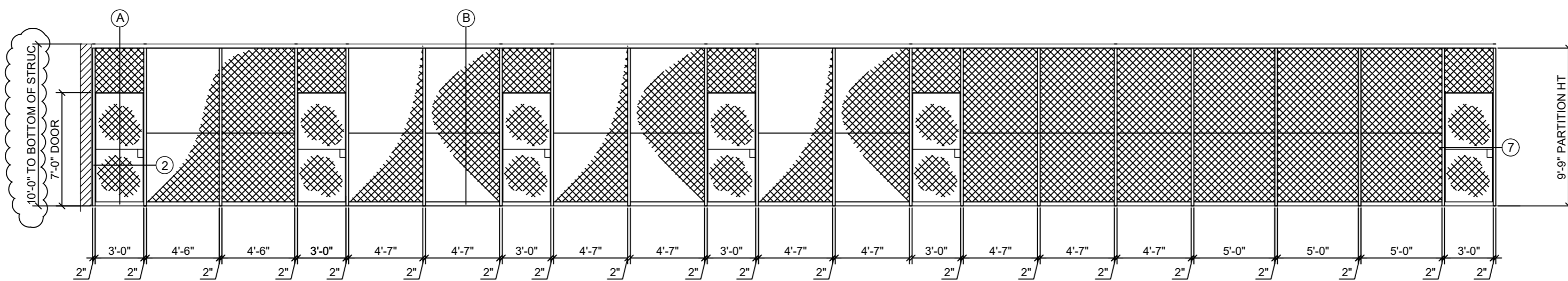
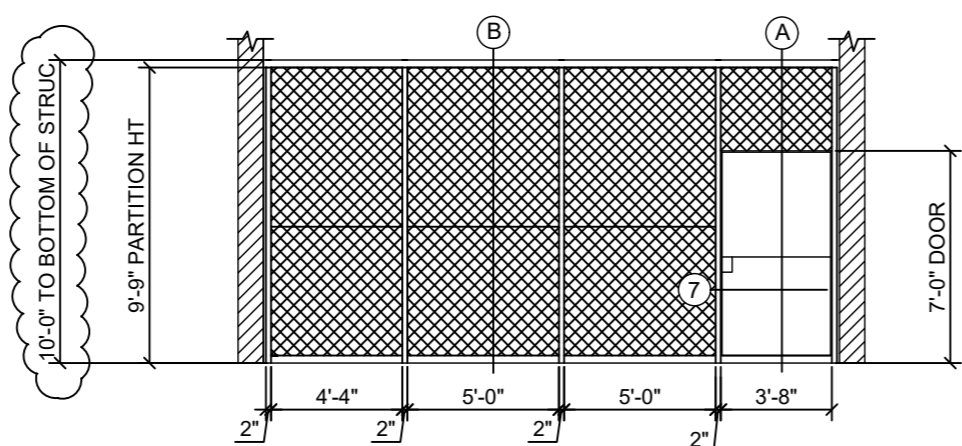


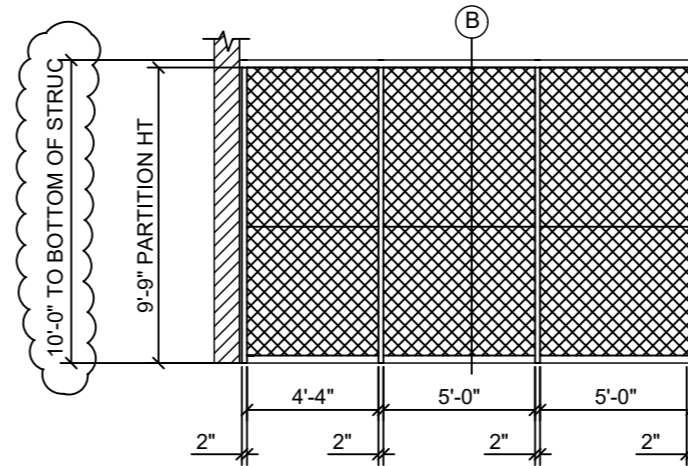
PLAN VIEW @ LEVEL 02 STORAGE AREA



ELEVATION (A)



ELEVATION (C)



ELEVATION (B)

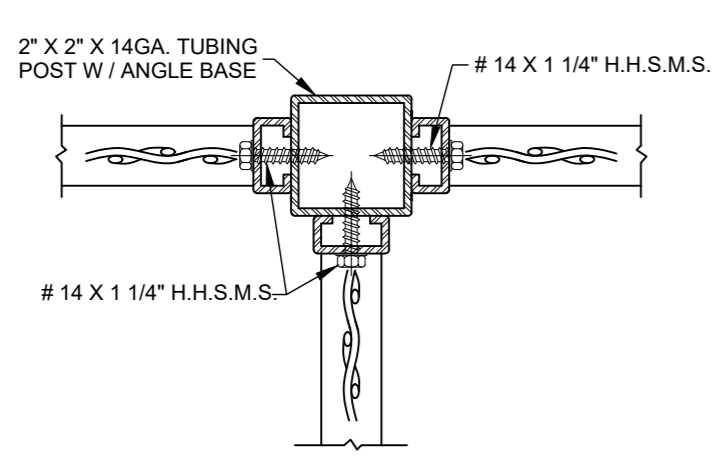
SPECIFICATIONS:

- # 10 GA. WIRE
- 1 1/2" DIAMOND MESH
- 1 1/4" X 5/8" VERT. CHANNEL FRAME
- 1" X 1/2" HORIZ. CHANNEL FRAME
- 1 1/4" X 1/2" HINGED DOOR
- W/ 1/8" CONTINUOUS BANDING
- 2" X 2" X 14GA TUBING POSTS

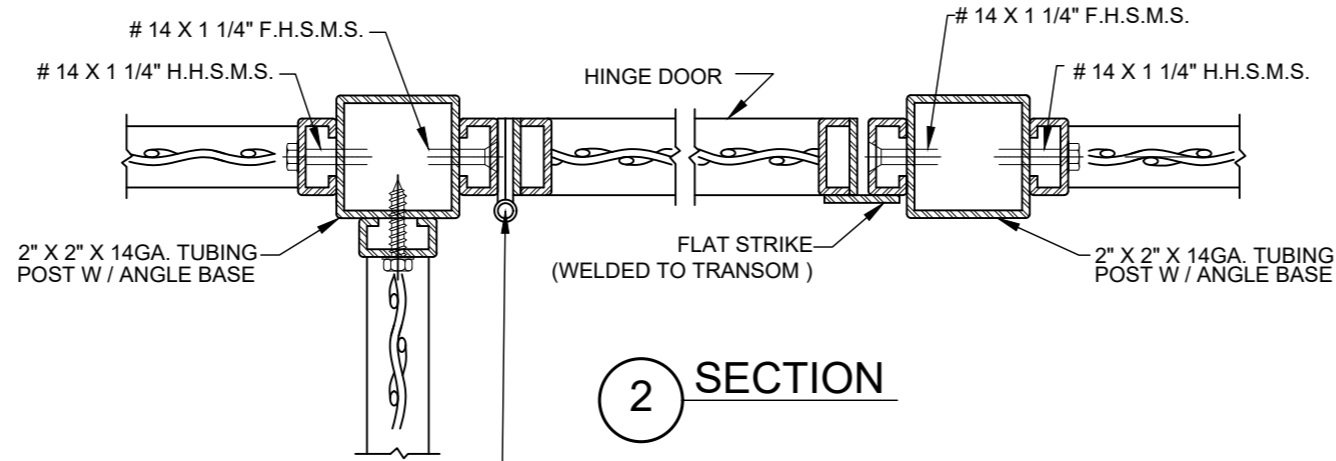
NOTES:

1. FOR CONSTRUCTION DETAILS & SECTIONS, SEE SHEET 2 OF 2
2. CONTRACTOR FIELD VERIFY CLOUDED DIMENSIONS

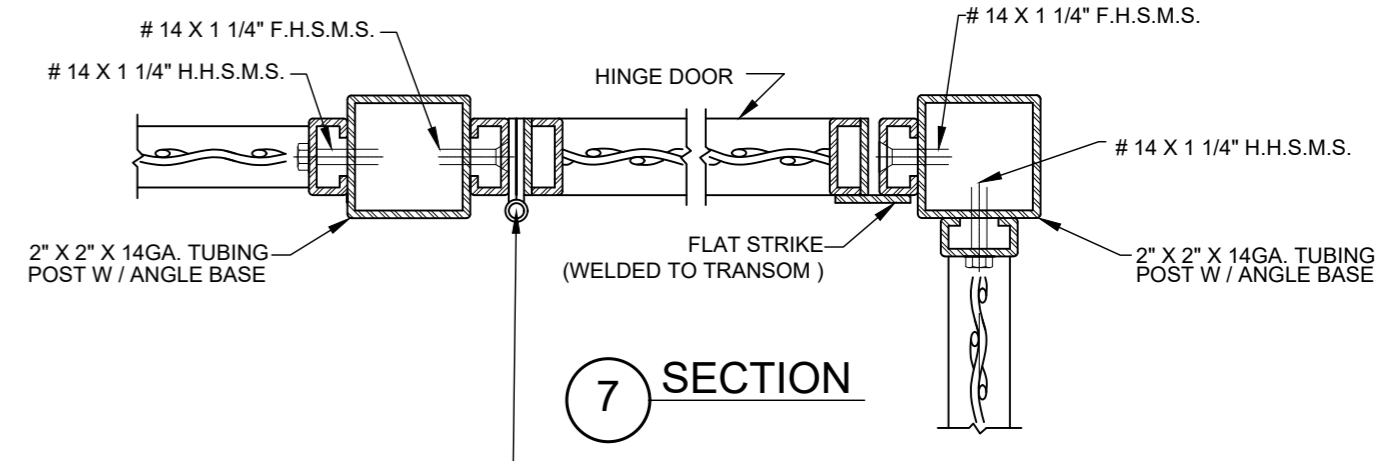
PROJECT: DALLAS PARKS AND RECREATION DEPARTMENT	PRODUCT: #135 (#10/ 1.5 DIA WIRE MESH PARTITION)	DATE:	REVISION:	ESTABLISHED 1895 STANDARD WIRE & STEEL WORKS 16255 S. VINCENNES AVE. SOUTH HOLLAND IL. 60473 708-333-8300 FAX 708-333-7066	JOB NO. 10174-W SHEET 1 OF 2
LOCATION: DALLAS, TX	FINISH: POWDER COAT(COLOR AS SELECTED)		SUBMITTAL		
ARCHITECT:	KEYING: CYLINDERS BY OTHERS		FINAL APPROVAL		
CONTRACTOR: DENCO CONSTRUCTION SPECIALISTS	DATE:	DRN. BY: K.H. SCALE: N.T.S	FOR FAB.		



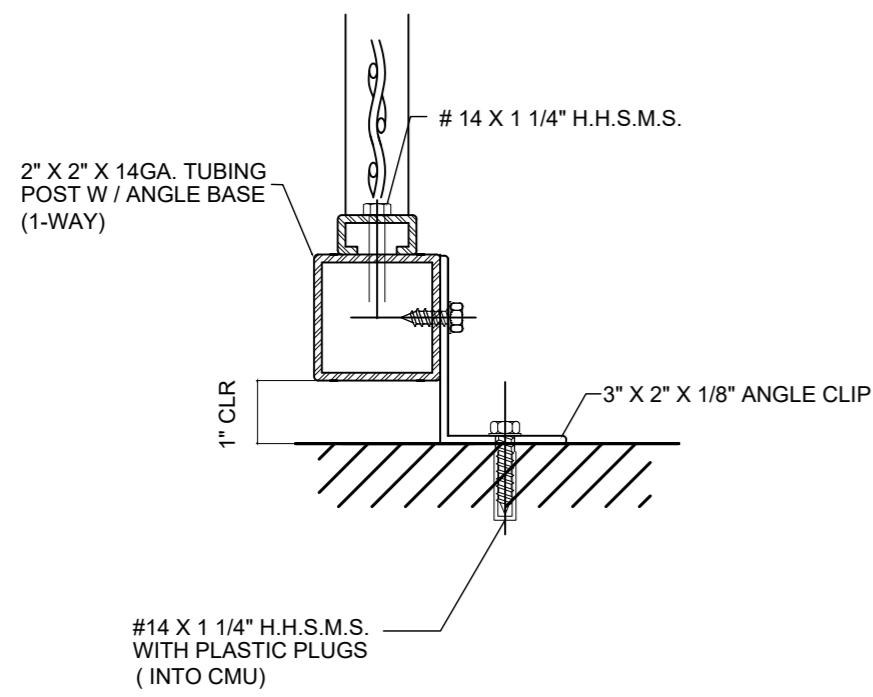
3 SECTION



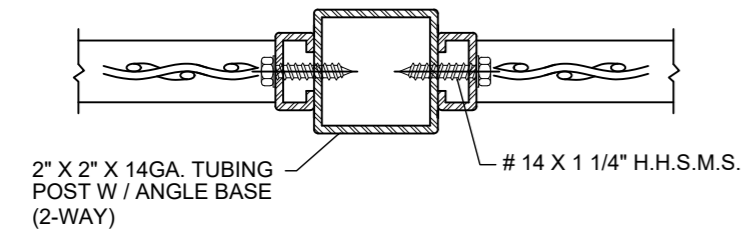
2 SECTION



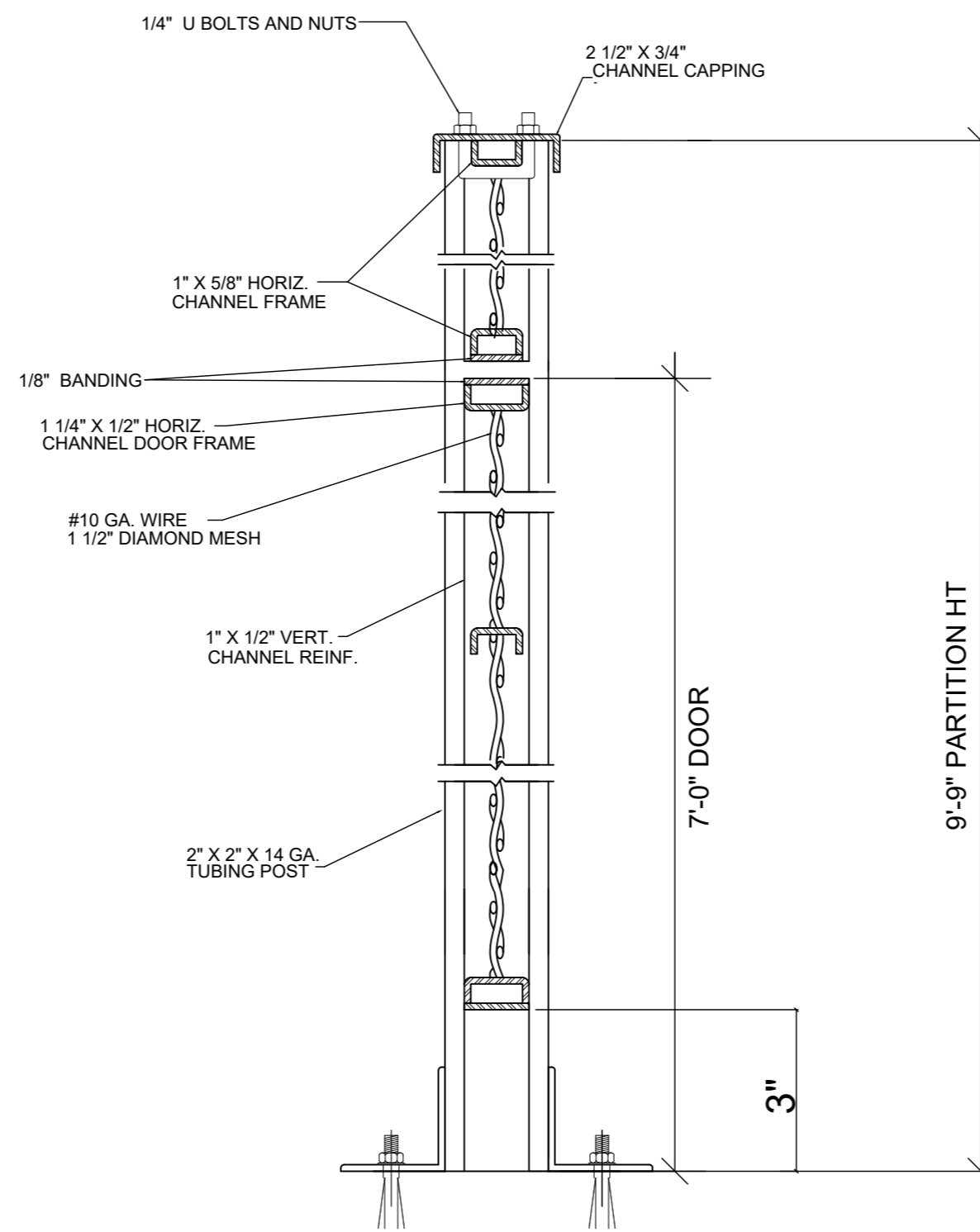
7 SECTION



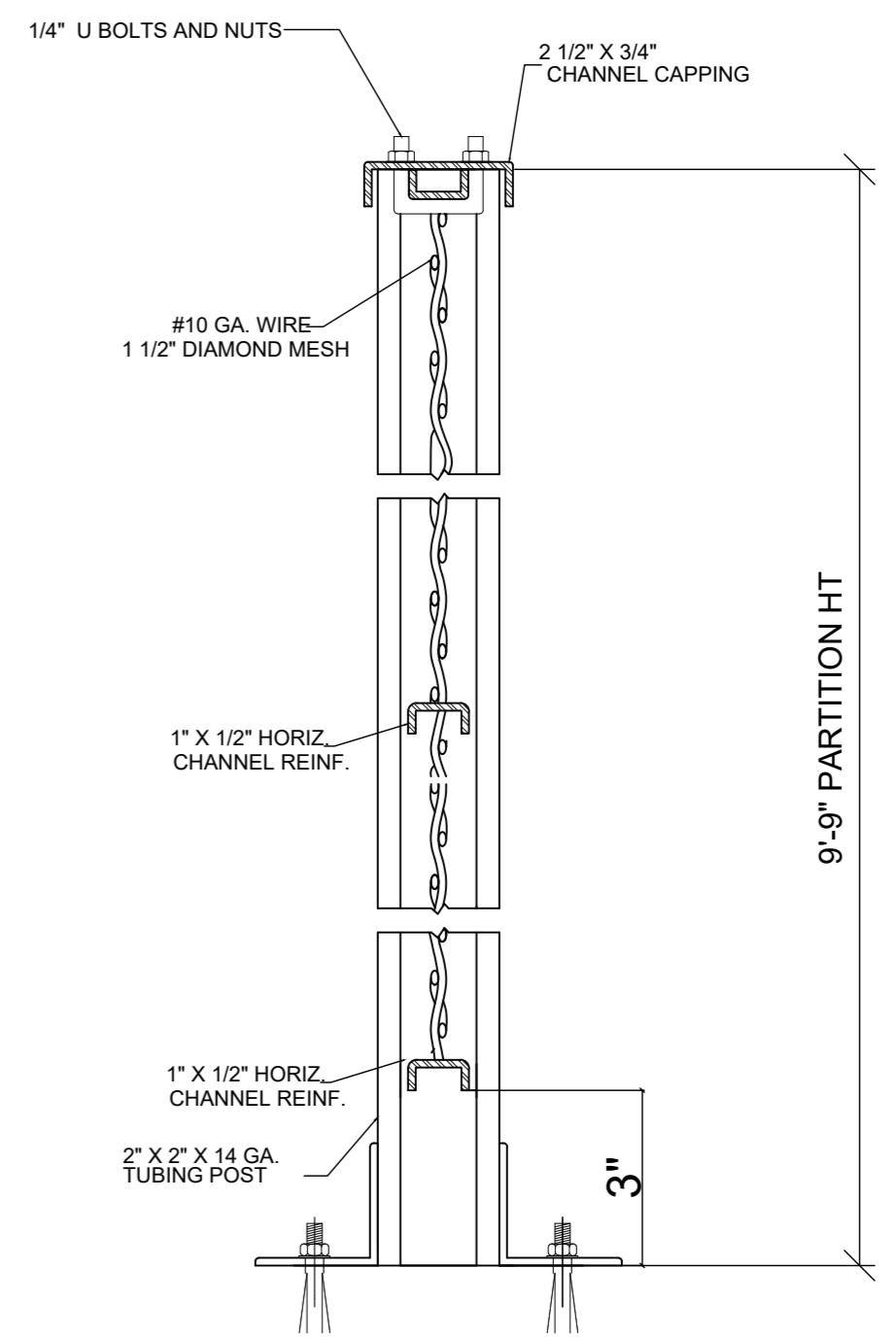
4 SECTION



5 SECTION



A SECTION



B SECTION

PROJECT: DALLAS PARKS AND REC DEPT ADMIN OFFICES	PRODUCT: #135 (#10/ 1.5 DIA WIRE MESH PARTITION)	DATE:	REVISION:	ESTABLISHED 1895	JOB NO. 10174-W
LOCATION: DALLAS, TX	FINISH: POWDER COAT(COLOR AS SELECTED)		SUBMITTAL	STANDARD WIRE & STEEL WORKS	
ARCHITECT:	KEYING: CYLINDERS BY OTHERS		FINAL APPROVAL		16255 S. VINCENNES AVE.
CONTRACTOR: DENCO CONSTRUCTION SPECIALISTS	DATE: 03-22-17	DRN. BY: K.H.	FOR FAB.	SOUTH HOLLAND IL. 60473	708-333-8300 FAX 708-333-7066