

# SUBMITTAL TRANSMITTAL

CONTRACTOR'S REVIEW STAMP

A/E REVIEW STAMP

**DENCO CONSTRUCTION SPECIALISTS  
SHOP DRAWING AND SUBMITTAL REVIEW**

JOB NO. DPA-055200  
DATE 12-31-19  
REVIEWER Shawnee Hallmark

Corrections or comments made relative to submittals during this review do not relieve the subcontractor from compliance with the requirements of the drawings and specifications. This check is only for review of general conformance with the design concept of the project and general compliance with the information given in the contract documents. The subcontractor is responsible for conforming and correlating all quantities and dimensions, selecting fabrication processes and techniques of construction, coordinating his work with that of other trades and performing his work in a safe and satisfactory manner.

**THIS REVIEW DOES NOT INDICATE NOR IMPLY ANY APPROVAL  
OF CHANGES TO TIME OR CHANGES IN COSTS**

**SUBMITTAL DATA**

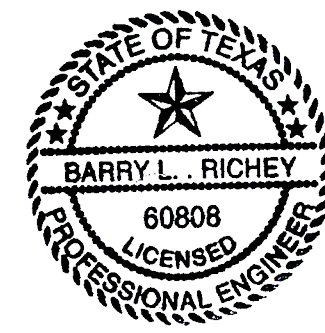
Project Dallas Park & Rec Dept Admin Offices Location 10031 E. Northwest Highway Dallas, TX 75238  
General Contractor DENCO CONSTRUCTION SPECIALISTS  
Trade Metal  
Items Submitted Handrails  
Supplier Mundo Latino Steel Erection Phone 254 420 6262  
Substitutions and Deviations \_\_\_\_\_  
Remarks \_\_\_\_\_

I CERTIFY THAT THE ABOVE ITEM DESCRIBED IN THE ATTACHED SUBMITTAL COMPLIES WITH THE CONTRACT DOCUMENTS EXCEPT AS NOTED ABOVE.

Shawnee Hallmark 972-226-2609 ext. 108 12-31-19

NAME (TRADE) PHONE NO. DATE

Review Comments: \_\_\_\_\_  
\_\_\_\_\_  
\_\_\_\_\_  
\_\_\_\_\_  
\_\_\_\_\_  
\_\_\_\_\_  
\_\_\_\_\_  
\_\_\_\_\_  
\_\_\_\_\_



Barry Richey

12-23-19

GENERAL NOTES

1. ALL RAILING TO BE SCHEDULE 40, 1-5/8" .
2. 1/4" CONTINUOUS WELD ALL CONNECTIONS AND GRIND SMOOTH.

All handrails have been prepared per OSHA requirements, including height, post spacing and strength.

The worst cases (longest spans) have been checked structurally and all are within AISC strength standards.

Plan Use Agreement  
By using these plans Contractor / Owner agrees to the following: These plans are the property of Denco Construction Specialists Inc. and are not to be reproduced, used, or used for construction without the written permission of Denco Construction Specialists Inc. These plans are intended to provide the necessary information to build this structure. Contractor / Owner shall verify and approve all aspects prior to construction. Copyright © 2017 Lowery Design Group

**DENCO**  
Construction Specialists

Steven J. Smith 5225 Lyons Road  
214.898.9199 phone Garland, Texas 75043  
972.228.0165 fax www.DencoCS.com

**LDG**

LOWERY DESIGN GROUP  
WWW.LOWERYDESIGNGROUP.NET  
2902 LAKE TERRACE DR.  
WYLIE TX. 75098  
ROBERT@LOWERYDESIGNGROUP.NET  
806-789-7902

DRAWN BY: R. Lowery

DATE:

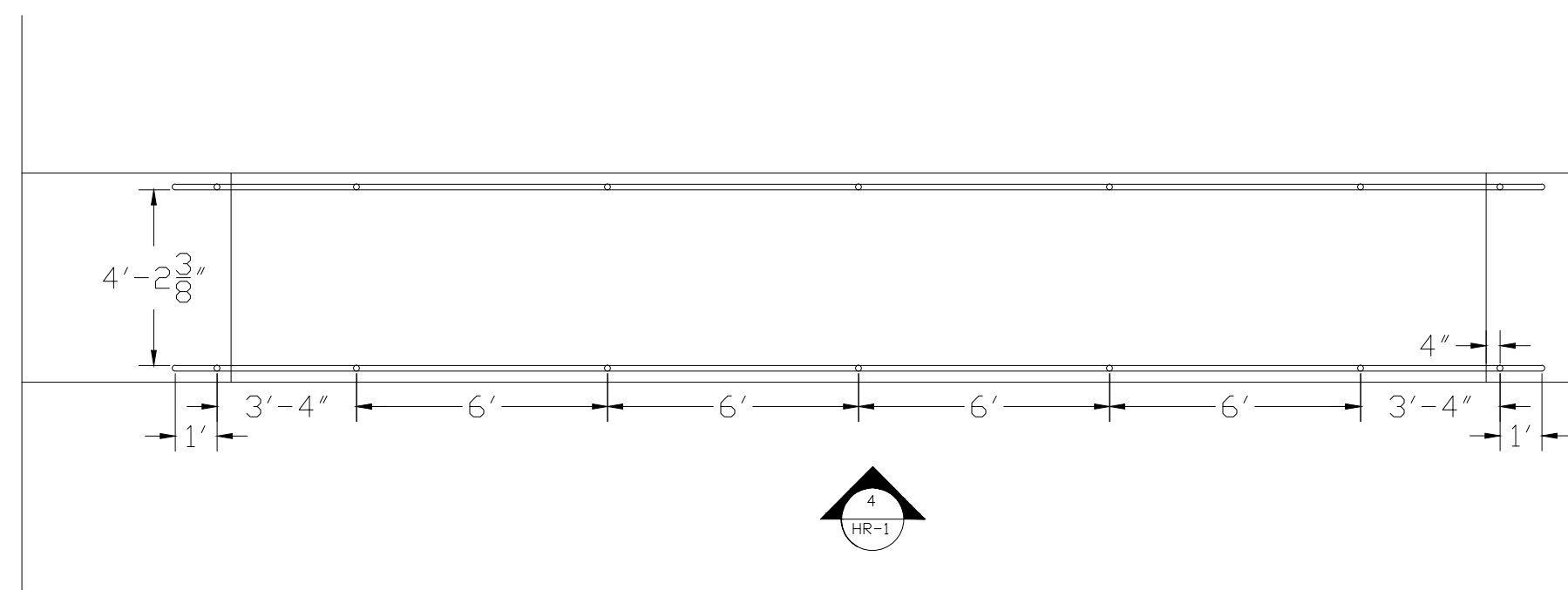
CHECKED BY:

DATE:

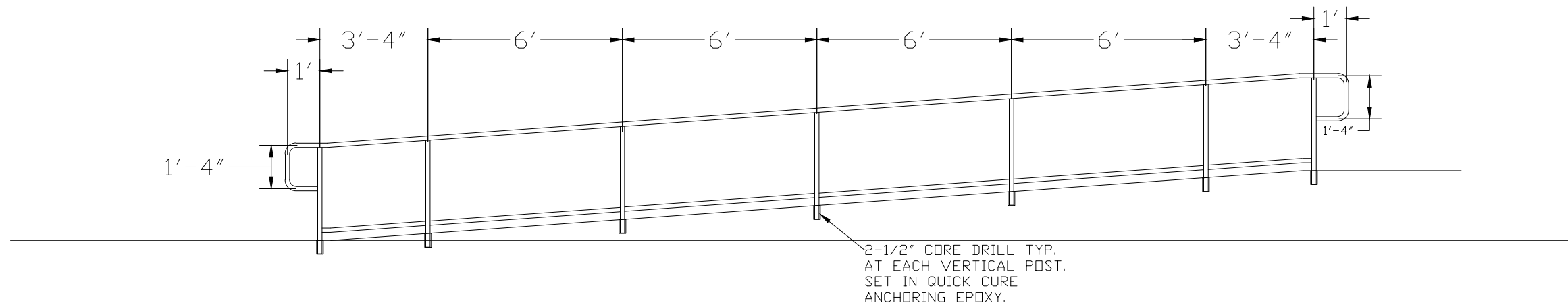
FINAL REVIEW BY:

DATE:

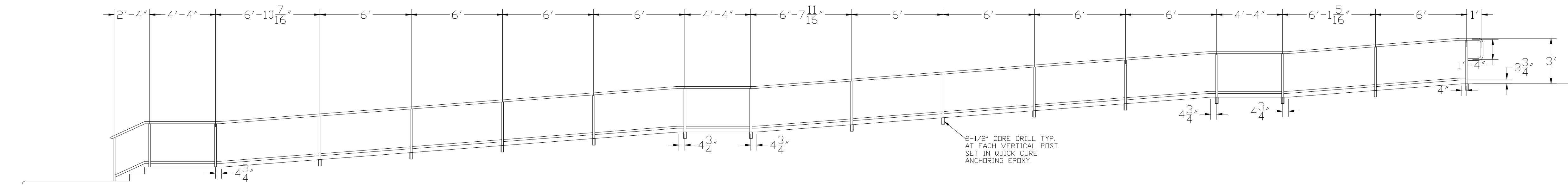
ISSUE	DATE	DESCRIPTION
1	11/20/19	SHOP DRAWING HR



3 OVERALL HAND RAIL AT NORTH ENTRY ACCESSIBLE RAMP  
HR-1 | 1/4" = 1'-0"



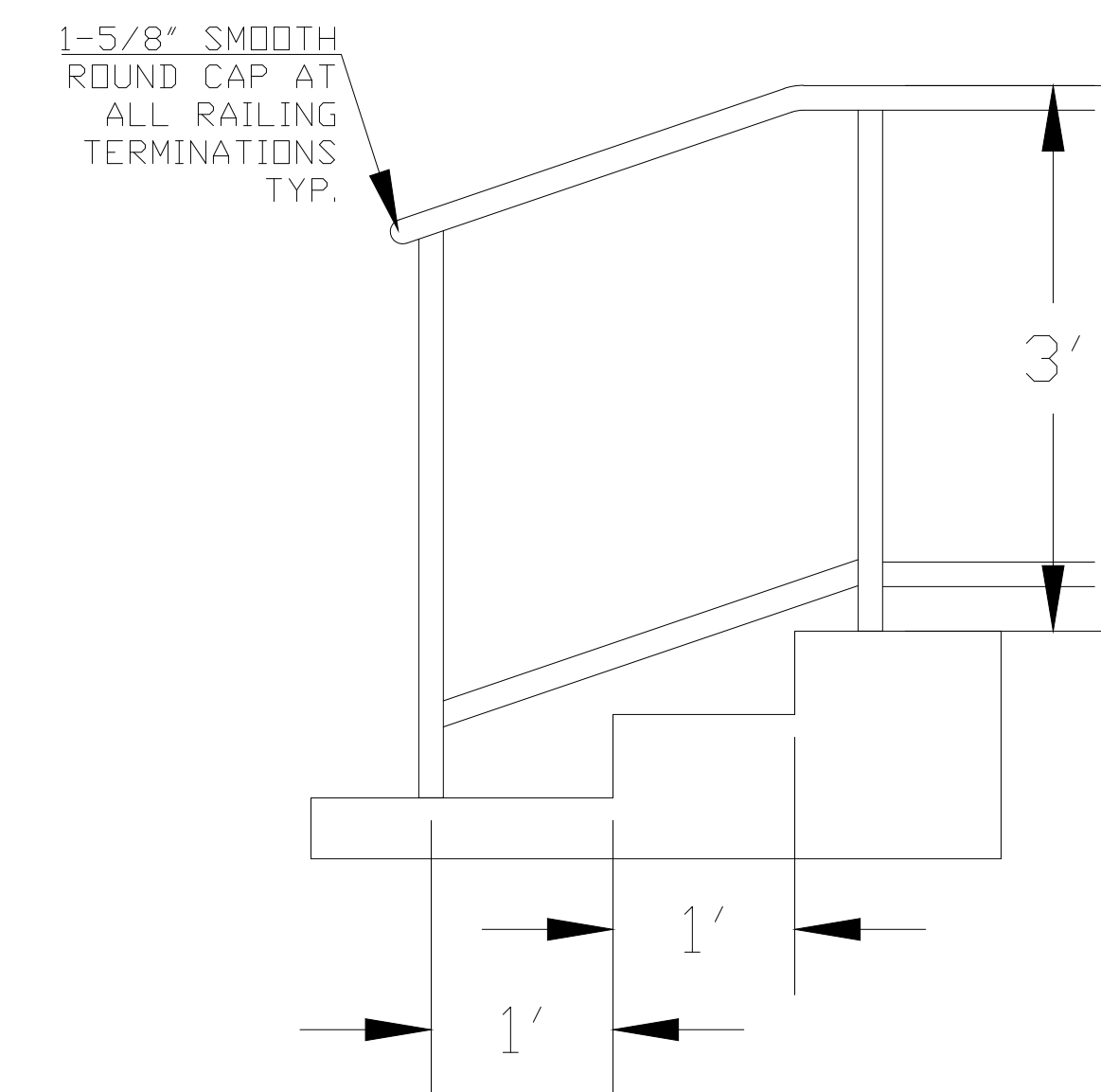
4 ELEVATION HAND RAIL AT NORTH ENTRY ACCESSIBLE RAMP  
HR-1 | 1/4" = 1'-0"



2 ELEVATION HAND RAIL SOUTH SIDE  
HR-1 | 1/4" = 1'-0"



1 OVERALL HAND RAIL PLAN SOUTH ENTRY  
HR-1 | 1/8" = 1'-0"



5 TYPICAL HAND RAIL AT STAIR ENTRY  
HR-1 | 1" = 1'-0"

**DALLAS COUNTY**  
PARKS & RECREATION ADMIN. OFFICE  
10031 E. NORTHWEST HWY  
DALLAS, TEXAS 75238

HAND RAIL SHOP DRAWINGS

HR-1