

NO	ISSUE	DATE
<b>Sheet Information</b>		
Date	May 25, 2016	
Job Number	146054.000	
Drawn	NE	
Checked	PLC	
Approved	TW	
<b>Title</b>		
<b>FINISH PLAN LEVELS 1 &amp; 2</b>		
<b>Sheet A-221</b>		

**INTERIOR FINISH PLAN  
GENERAL NOTES**

- REFER TO INTERIOR FINISH LEGEND A-801 FOR FINISH MANUFACTURER AND COLOR INFORMATION.
- ALL FIRE EXTINGUISHER CABINETS ARE TO BE PAINTED THE SAME COLOR AS ADJACENT WALL, U.N.O.
- CEMENT-BASED UNDERLAYMENT TO BE USED TO LEVEL AND PATCH FLOOR AS NEEDED TO RECEIVE NEW FINISH.
- CONTRACTOR TO PROVIDE UNIT PRICING FOR MOISTURE VAPOR EMISSION CONTROL SYSTEM.

**INTERIOR FINISH PLAN  
LEGEND**

<b>ROOM FINISH TAG</b>	REFERENCE A-801 SHEET (FINISH LEGEND)
ACT	CEILING FINISH
WVC	WALL FINISH
RB	WALL BASE FINISH
VCT	FLOOR FINISH
<b>MILLWORK FINISH TAG</b>	
SSM	COUNTERTOP
PL	CABINET FRONTS
* DENOTES MULTIPLE FINISHES. REFER TO REFLECTED CEILING PLANS, FLOOR PATTERN PLANS AND/OR ELEVATIONS FOR INFORMATION.	
XXX	FINISH TAG
D	KEYNOTE
ETR	EXISTING TO REMAIN
[Hatched Box]	OUT OF SCOPE
ETR + XXX	FLOOR TRANSITION TAG
[Arrow]	DIRECTION OF FLOORING

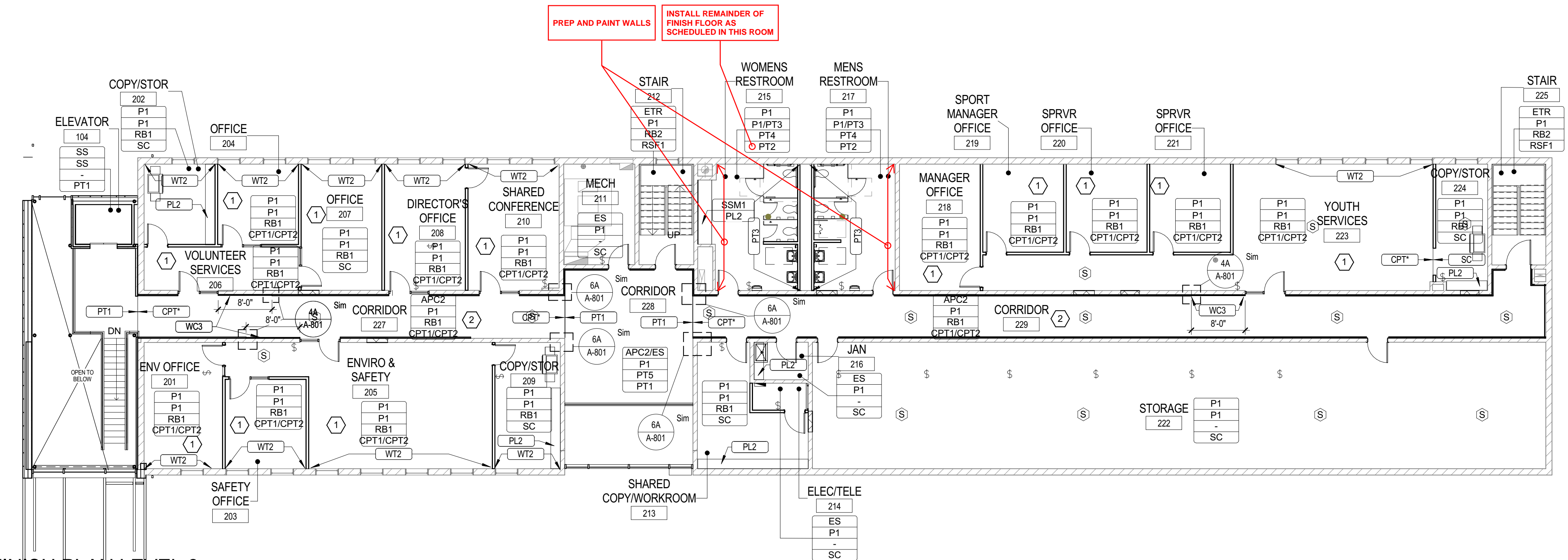
**INTERIOR FINISH PLAN  
KEYNOTES**

- TYPICAL OFFICE CARPET PATTERN: 80% OF CPT1 AND 20% OF CPT2 IN RANDOM PATTERN, STACKED AND QUARTER-TURNED, U.N.O.
- TYPICAL CORRIDOR CARPET PATTERN: 80% OF CPT2 AND 20% OF CPT1 IN RANDOM PATTERN, STACKED AND QUARTER-TURNED, U.N.O.
- REFER TO A-52X SERIES FOR INTERIOR ELEVATIONS FOR LOCATION OF MULTIPLE WALL FINISHES.

**FLOOR PATTERN PLAN  
LEGEND**

<b>VINYL COMPOSITION TILE</b>	
[Box]	VCT1 FIELD NOT SHOWN FOR CLARITY
[Box]	VCT2
[Box]	VCT3

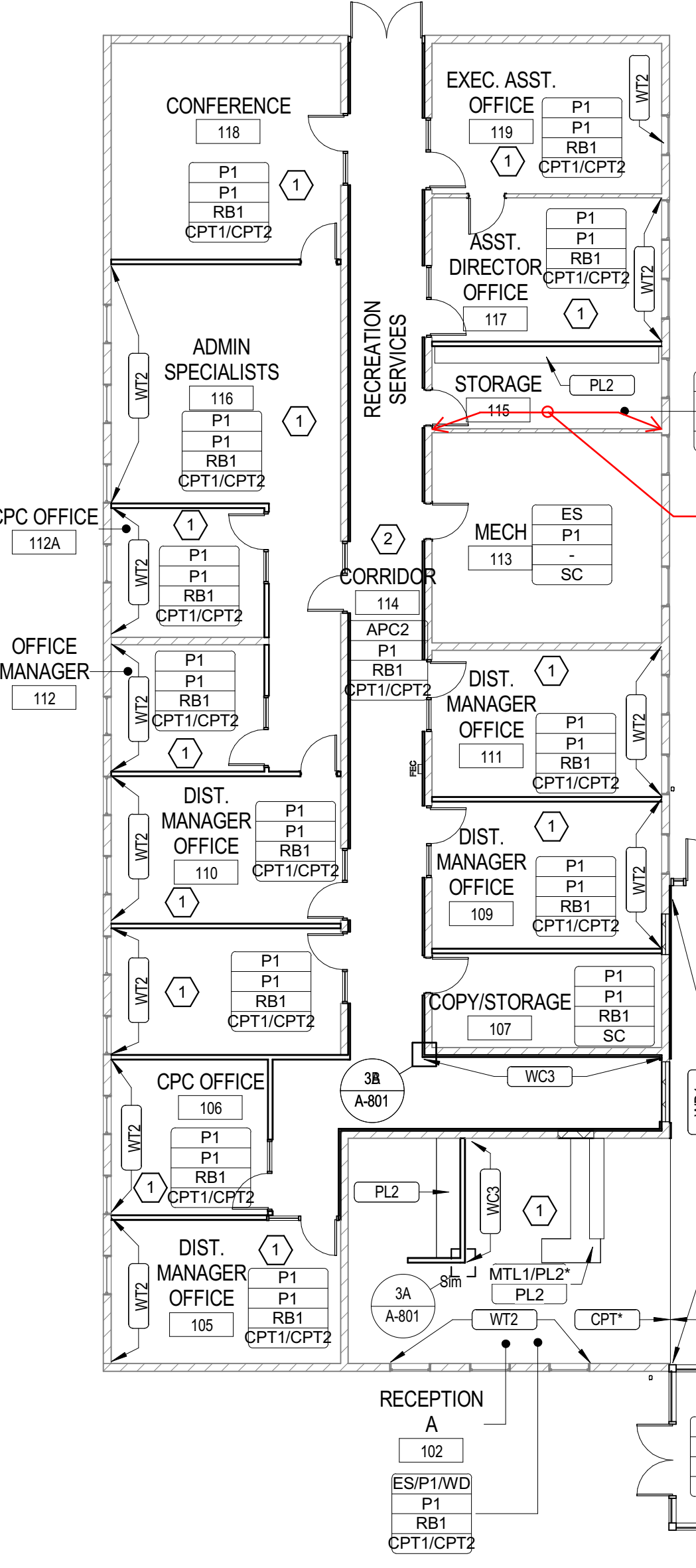
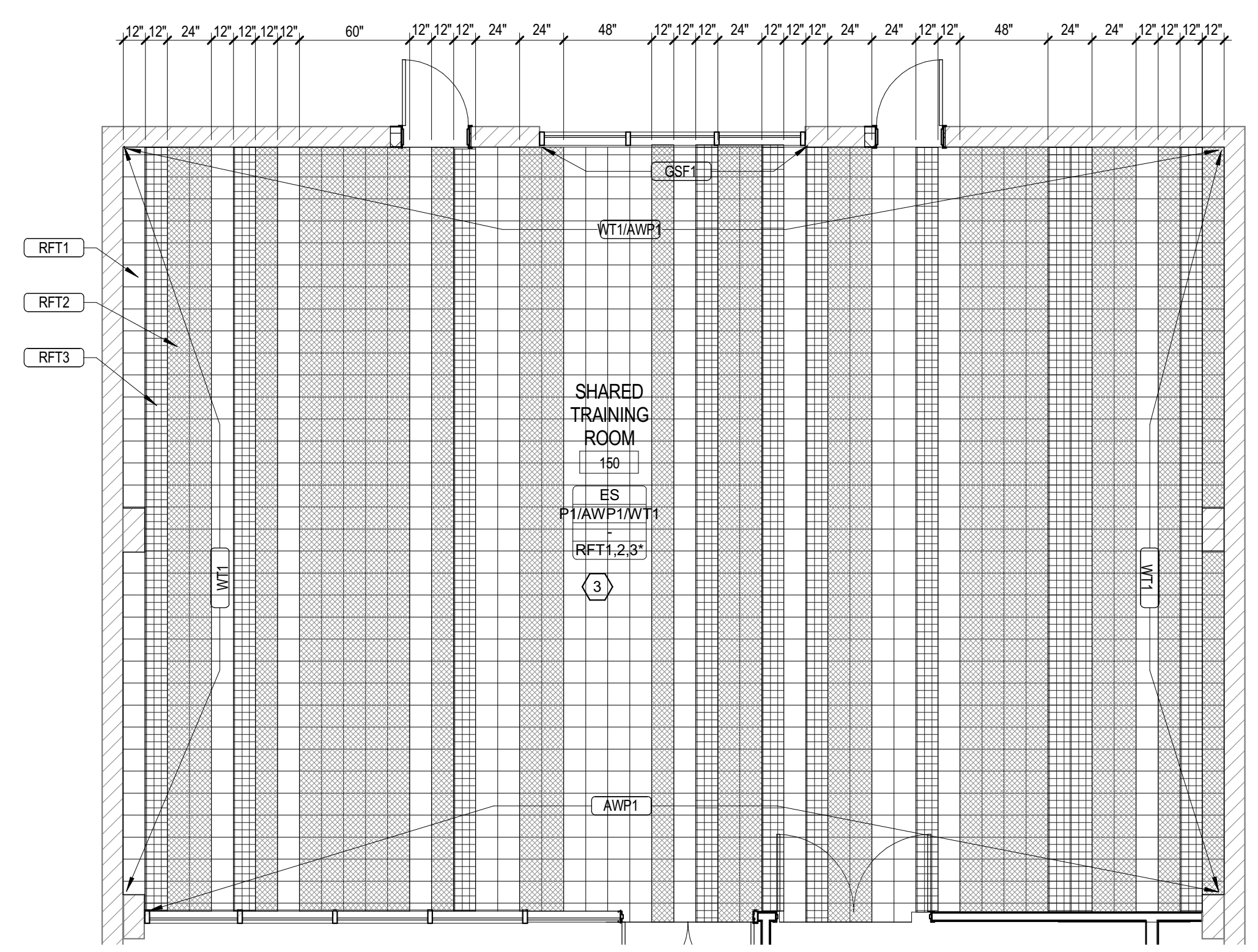
**04 FINISH PLAN LEVEL 2**  
3/32" = 1'-0"



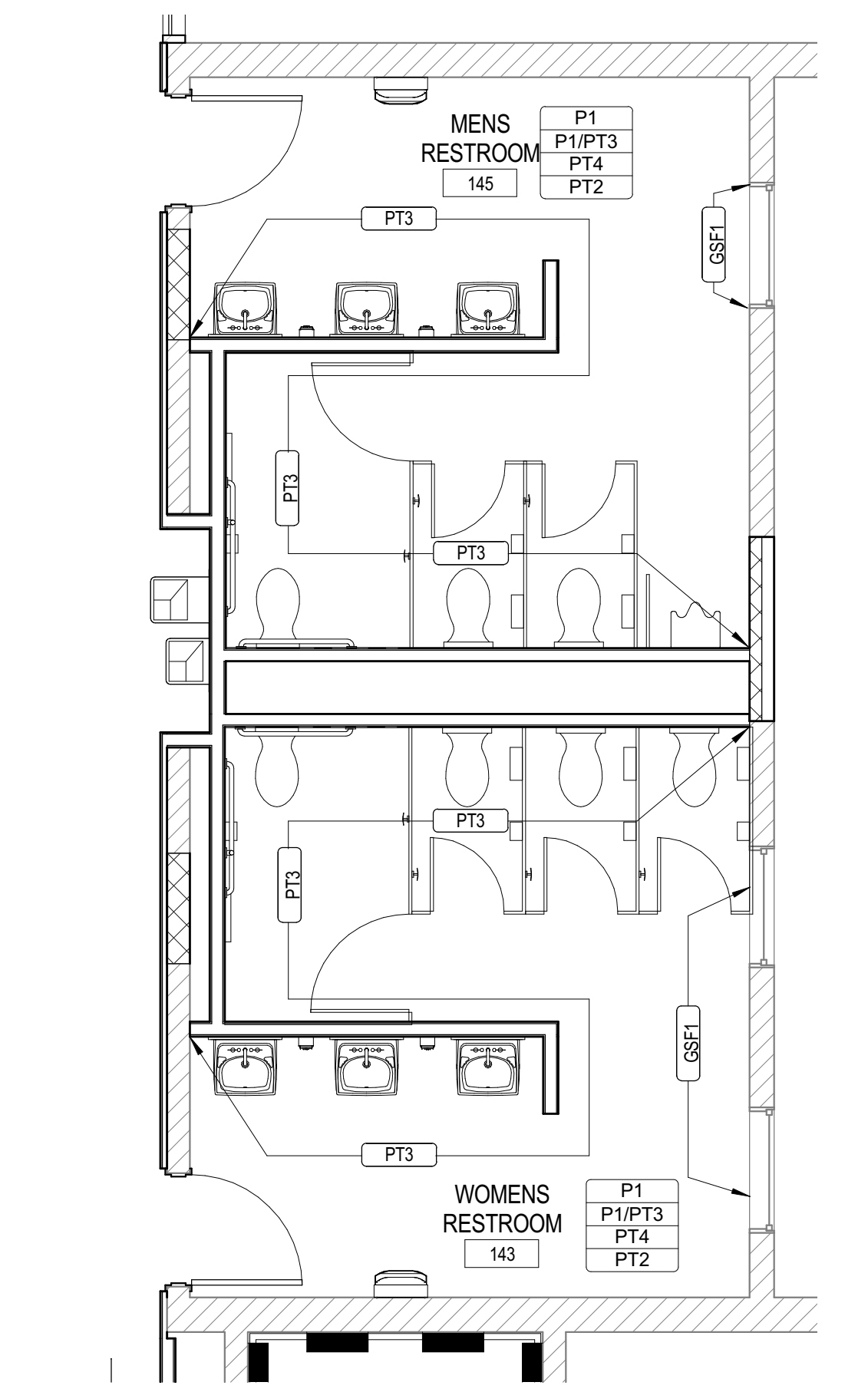
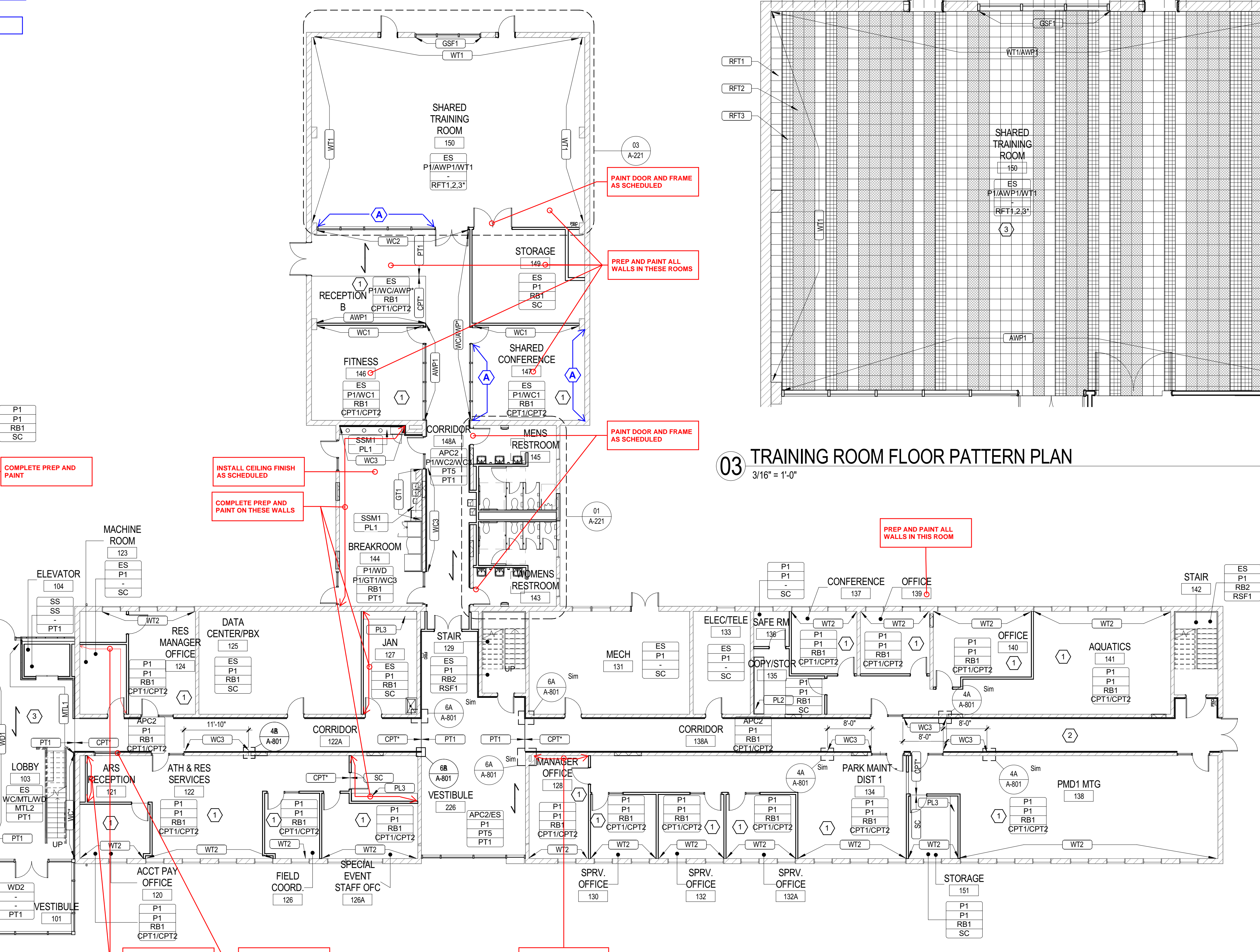
**NEW SCOPE OF WORK  
NOTES BY NUMBER**

- A INSTALL WT1 AT GLAZING

**03 TRAINING ROOM FLOOR PATTERN PLAN**  
3/16" = 1'-0"



**02 FINISH PLAN LEVEL 1**  
3/32" = 1'-0"



**01 RESTROOM ENLARGED FINISH PLAN**  
1/4" = 1'-0"