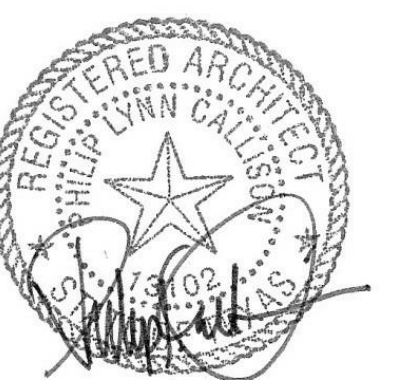


**STAIR DETAILS
GENERAL NOTES**

1. STEEL TUBE RAILINGS OF HANDRAILS AND GUARDRAILS TO BE 1 1/4" - 1.34" OD
2. A PROJECTION GREATER THAN 4 1/2" INTO THE STAIR WIDTH IS NOT ALLOWED UNLESS IT IS GREATER THAN 8" ABOVE THE EDGE OF THE NOSINGS INCLUDING ONE TREAD DEPTH BEYOND THE BOTTOM RISER. THIS MINIMUM HEAD ROOM CLEARANCE SHALL BE MAINTAINED ABOVE LANDINGS.
3. A 1" SPHERE SHALL NOT PASS THROUGH ANY OPENING WITHIN A GUARD. A GUARD EXTENDS FROM TOP OF STRINGER OR CLOSURE PLATE TO THE TOP OF GUARDRAIL.
4. RAIL HEIGHTS ARE PLUMB TO NOSE OF TREADS UNO
5. PICKETS ARE CONVEYED AS 1/2" X 1/2" BAR (BASIS OF DESIGN).
6. VERTICAL GUARDRAILS TO BE EQUALLY SPACE BUT NO GREATER THAN 4'-2" OC MAX

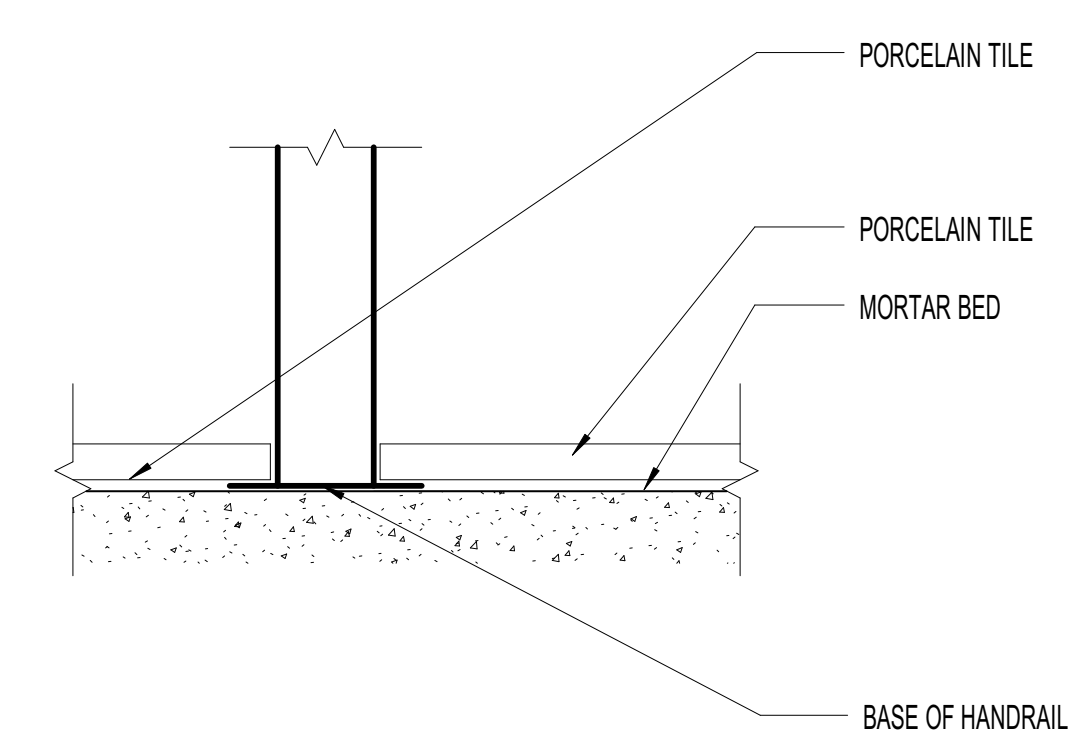


08/25/16
Revisions

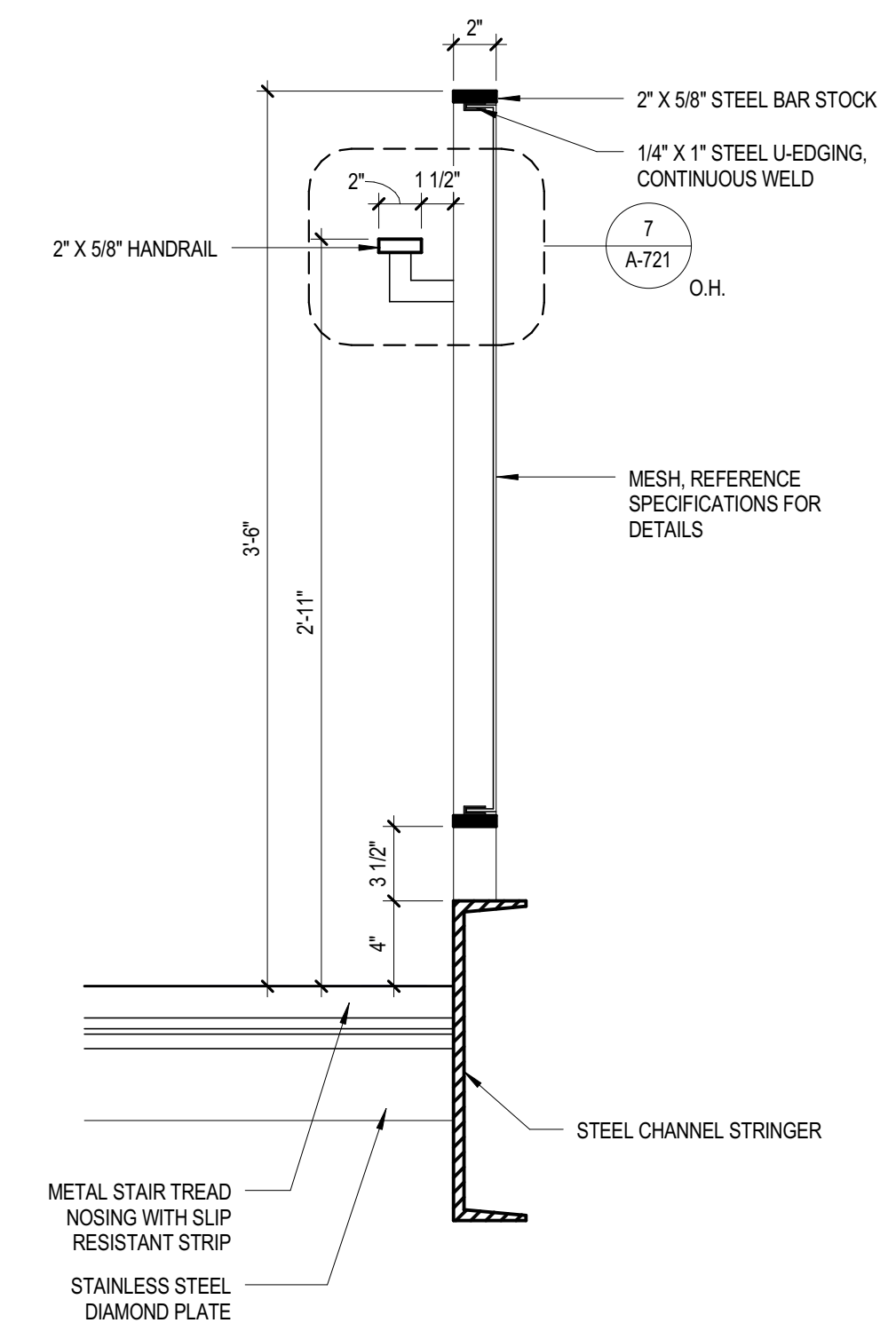
NO	ISSUE	DATE
Sheet Information		
Date	AUGUST 25, 2016	
Job Number	146054-000	
Drawn	NE	
Checked	TW	
Approved	RGV	
Title		

STAIR DETAILS

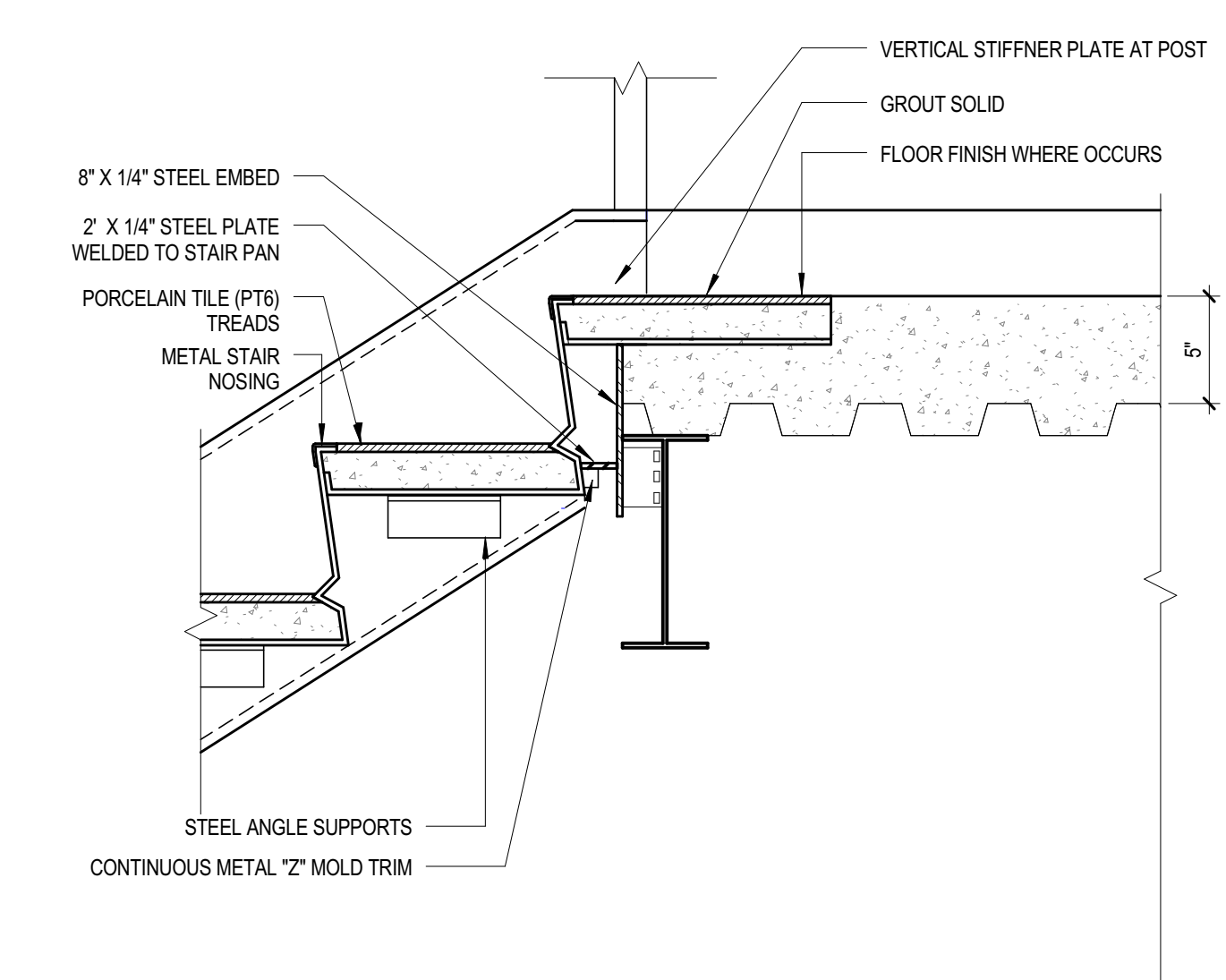
Sheet
A-721



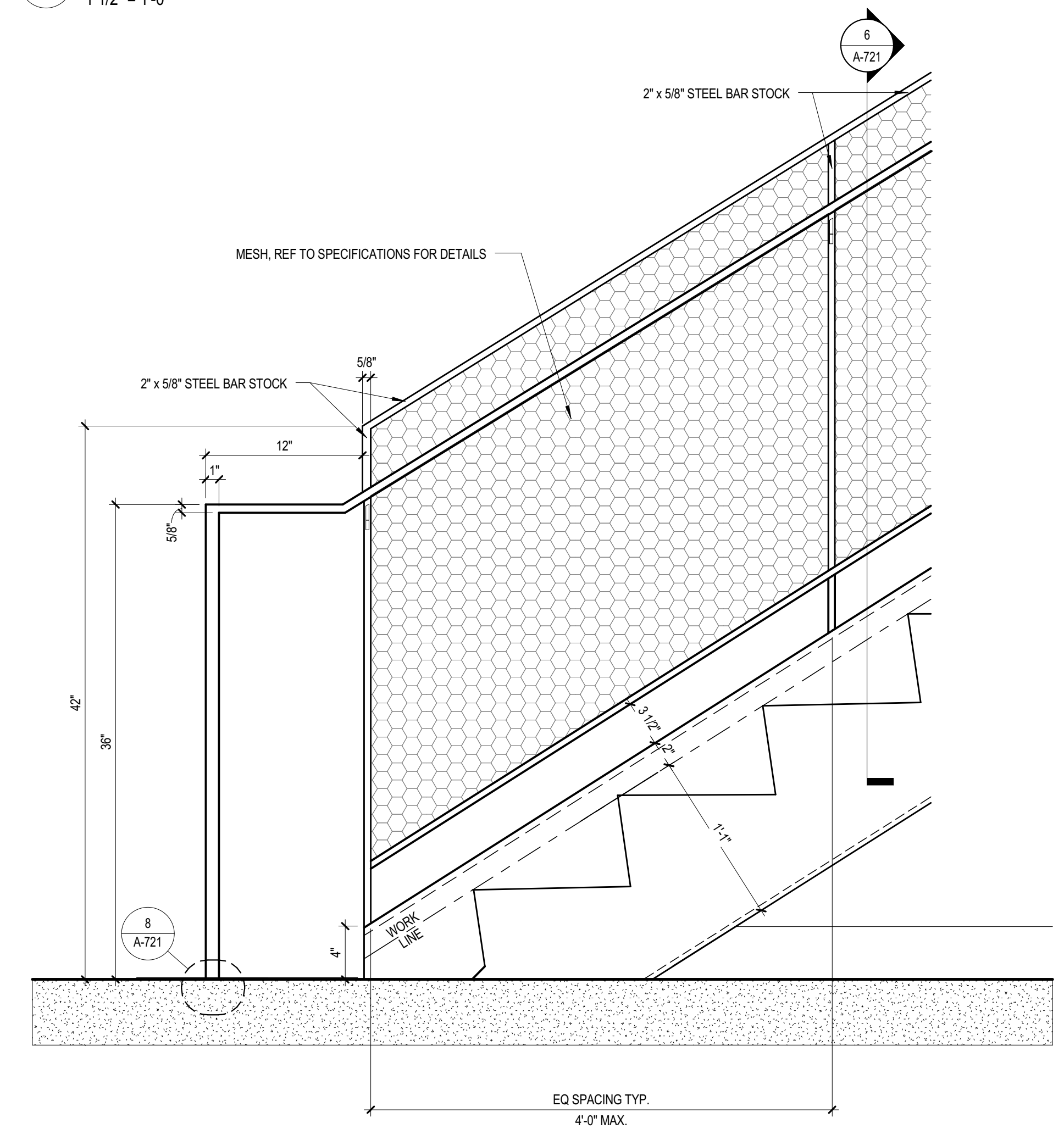
8 DETAIL AT BOTTOM OF HANDRAIL
6" = 1'-0"



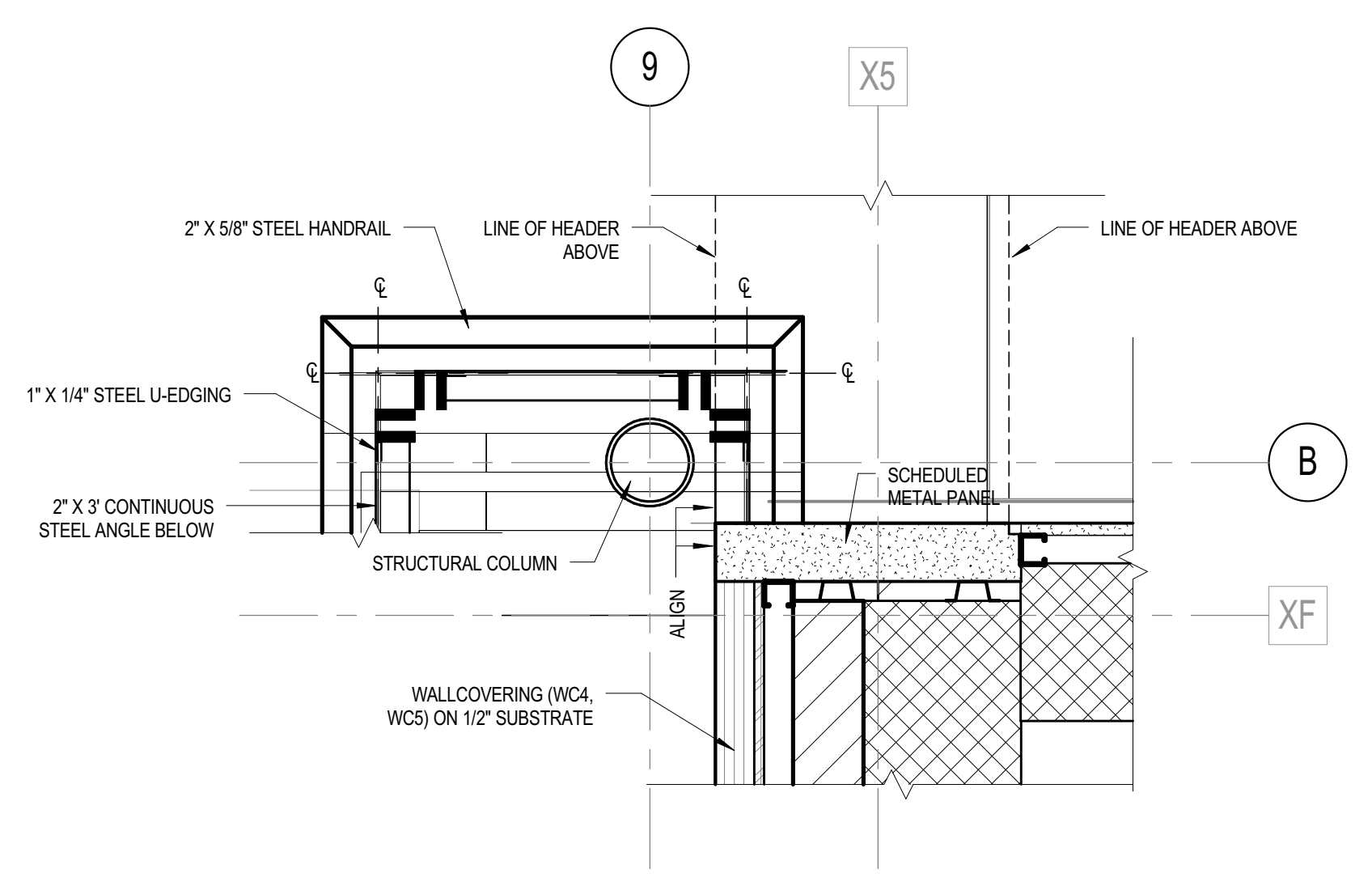
6 RAILING @ STRINGER
1 1/2" = 1'-0"



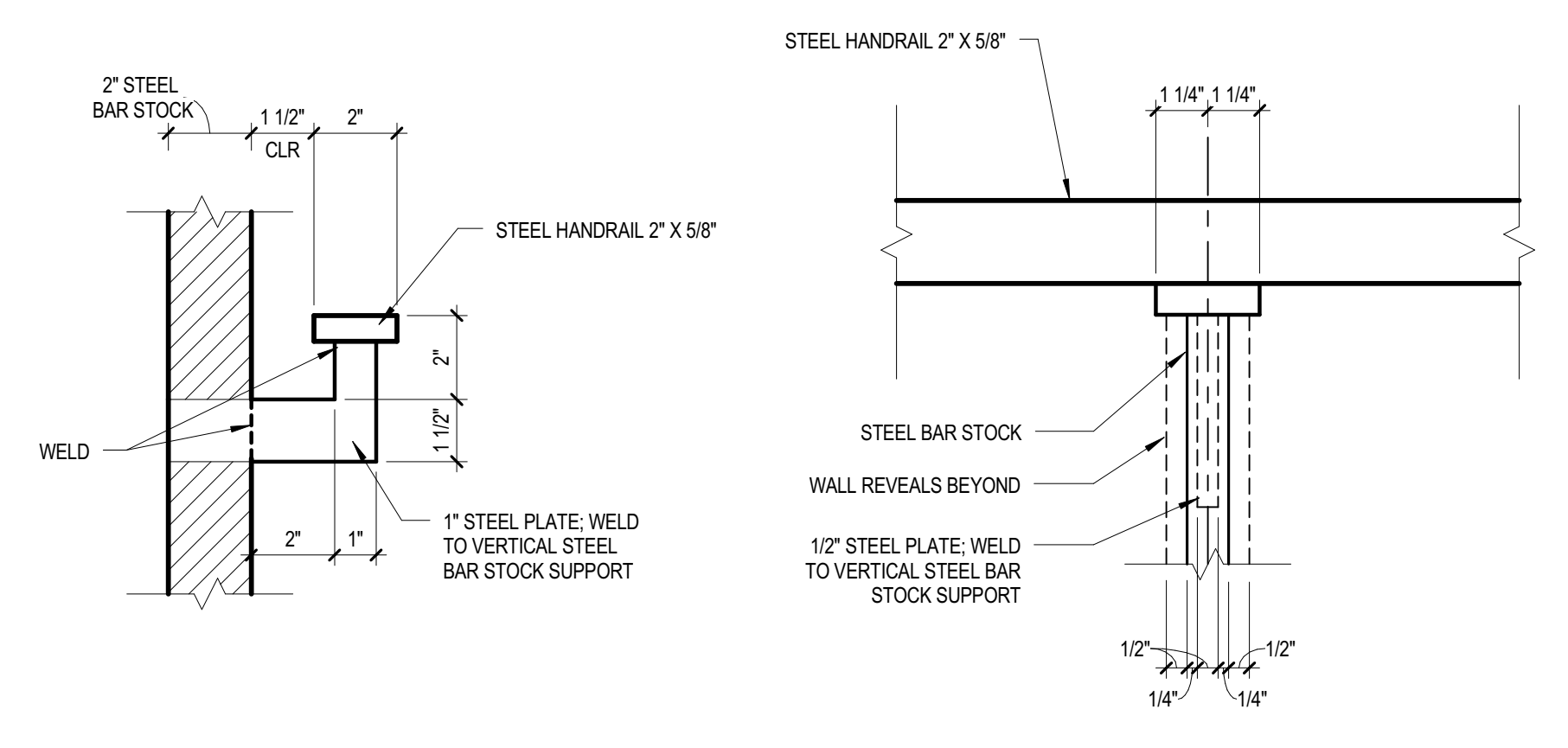
10 TOP FLOOR LANDING
1 1/2" = 1'-0"



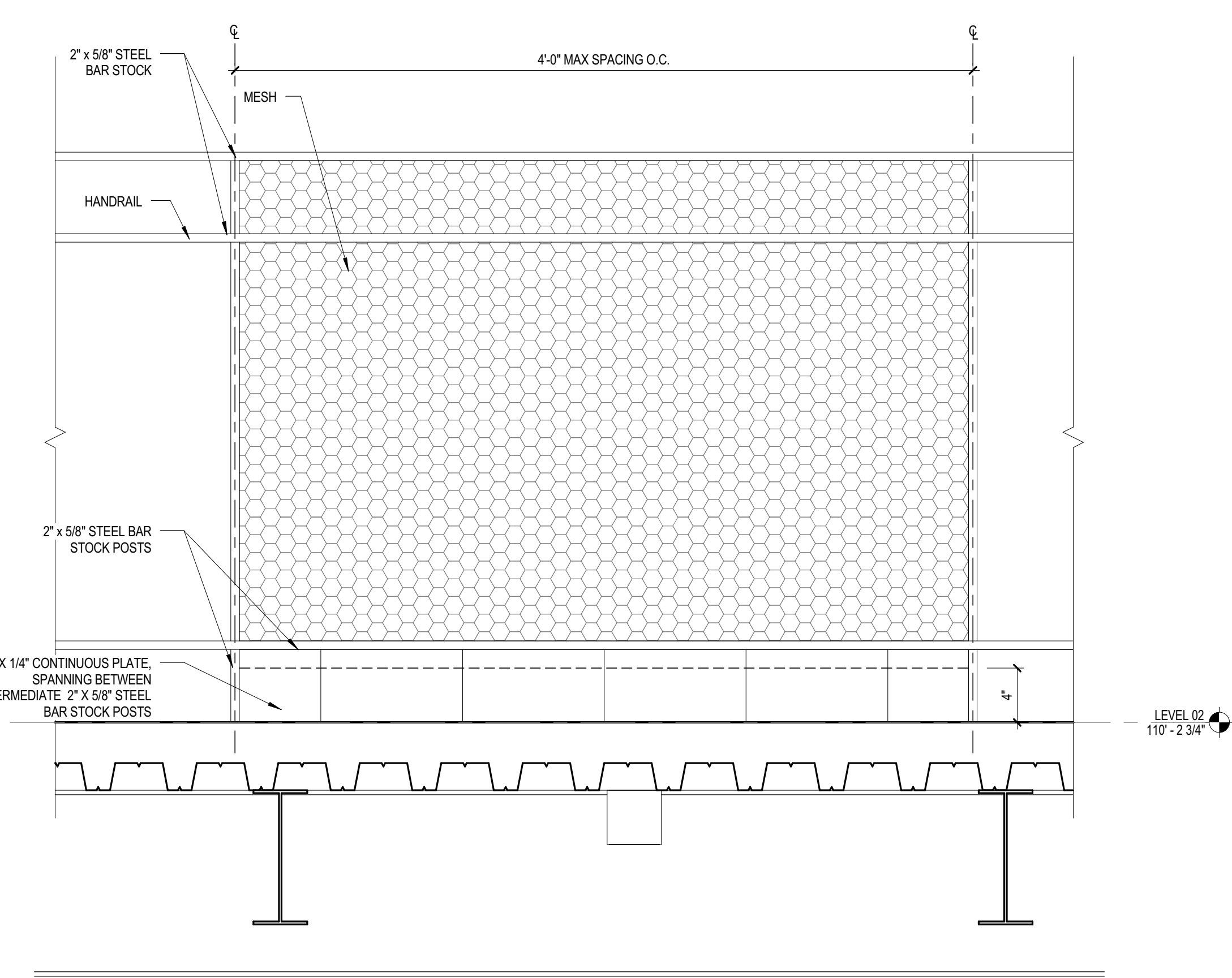
01 HANDRAIL @ BOTTOM RAILING
1 1/2" = 1'-0"



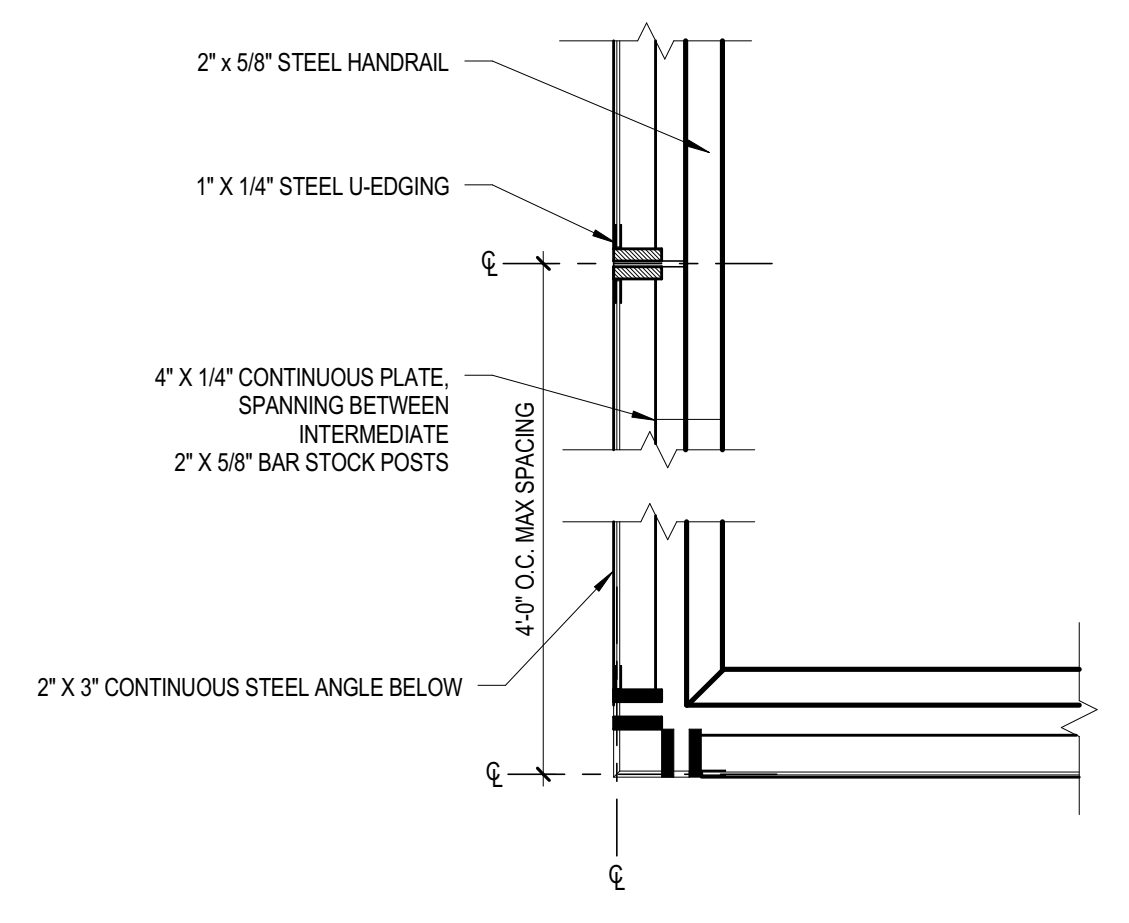
9 GUARDRAIL PLAN/SECTION DETAIL
1 1/2" = 1'-0"



7 HANDRAIL SECT/ELEV DETAIL
3" = 1'-0"



2 HANDRAIL ELEVATION
1 1/2" = 1'-0"



3 GUARDRAIL PLAN/SECTION DETAIL
1 1/2" = 1'-0"