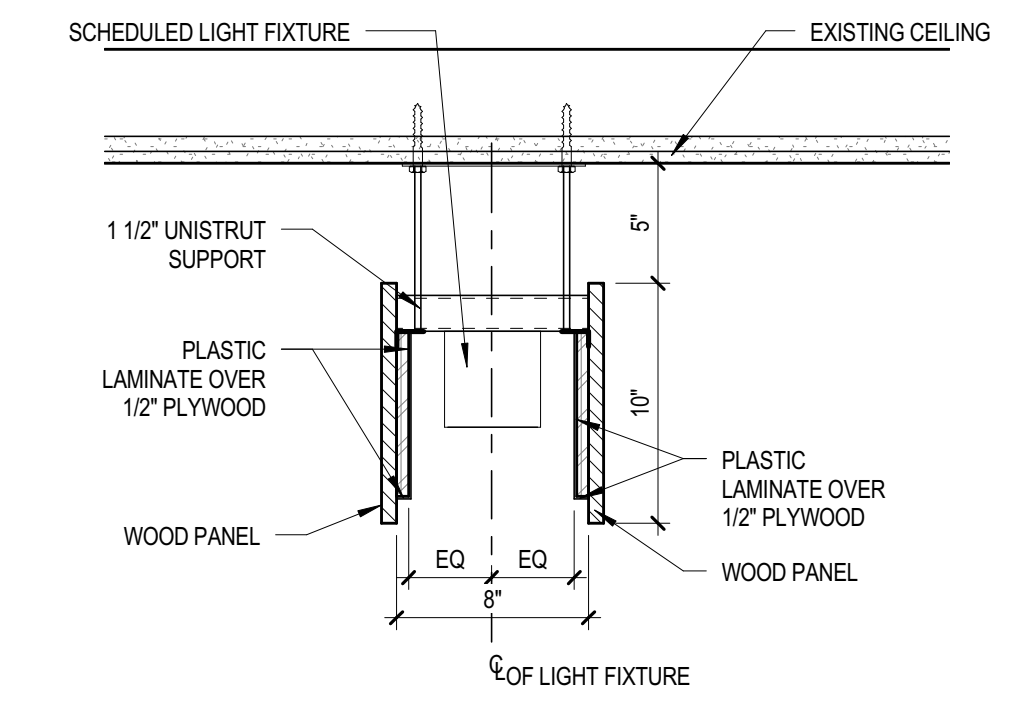
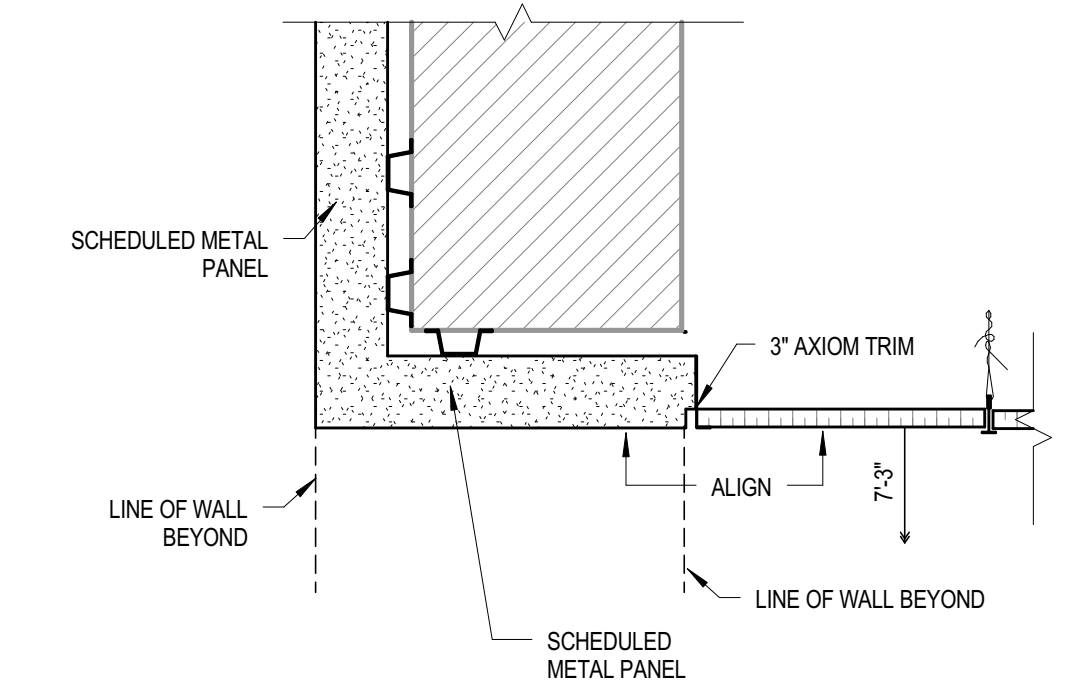




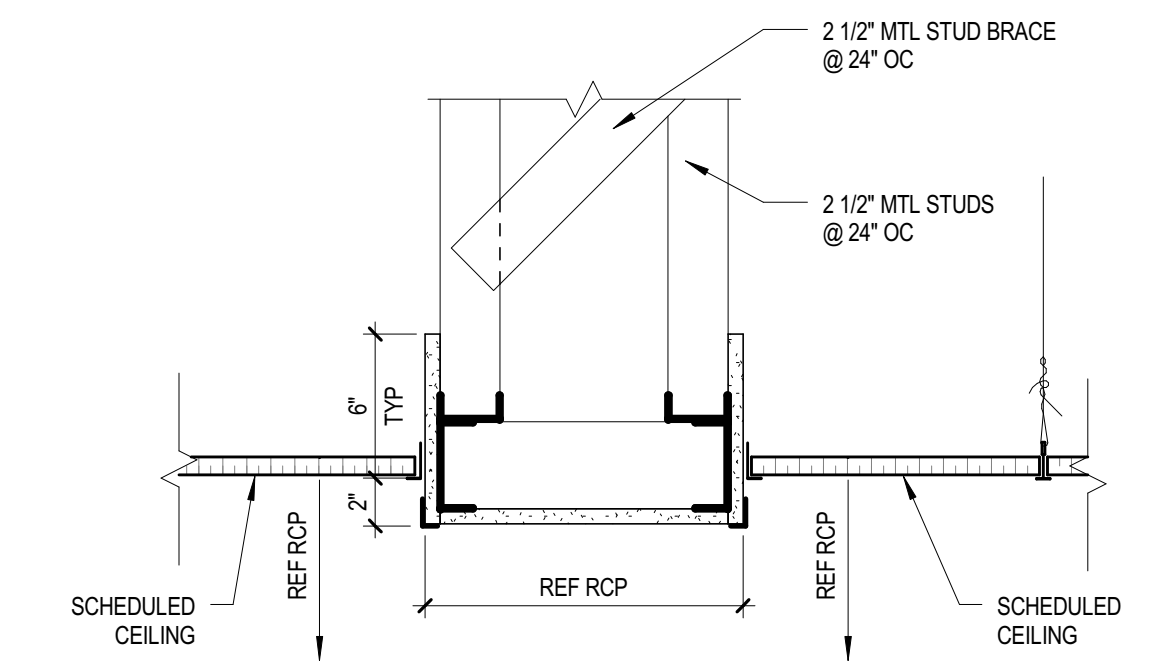
Revisions



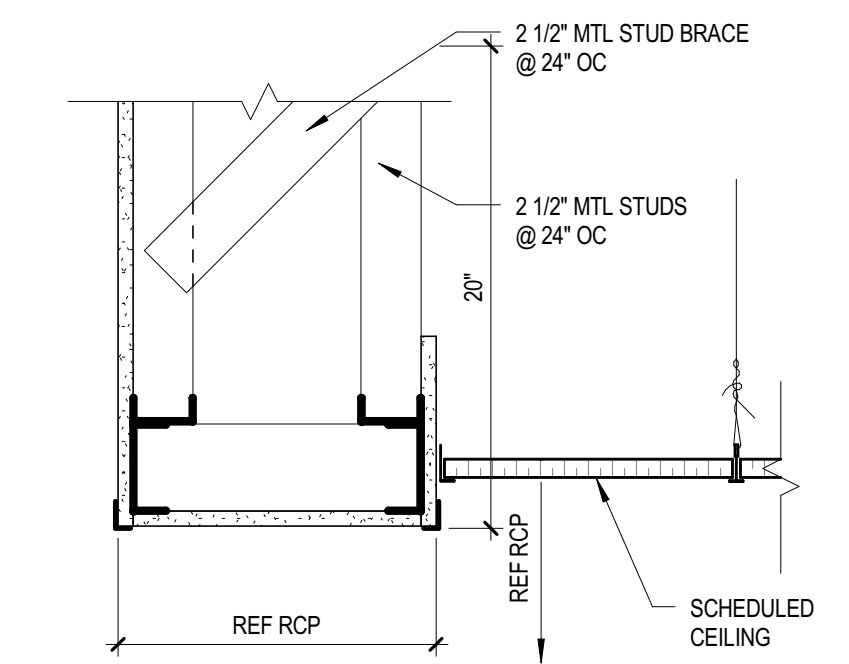
05 DETAIL @ CEILING WOOD PANELS
1 1/2" = 1'-0"



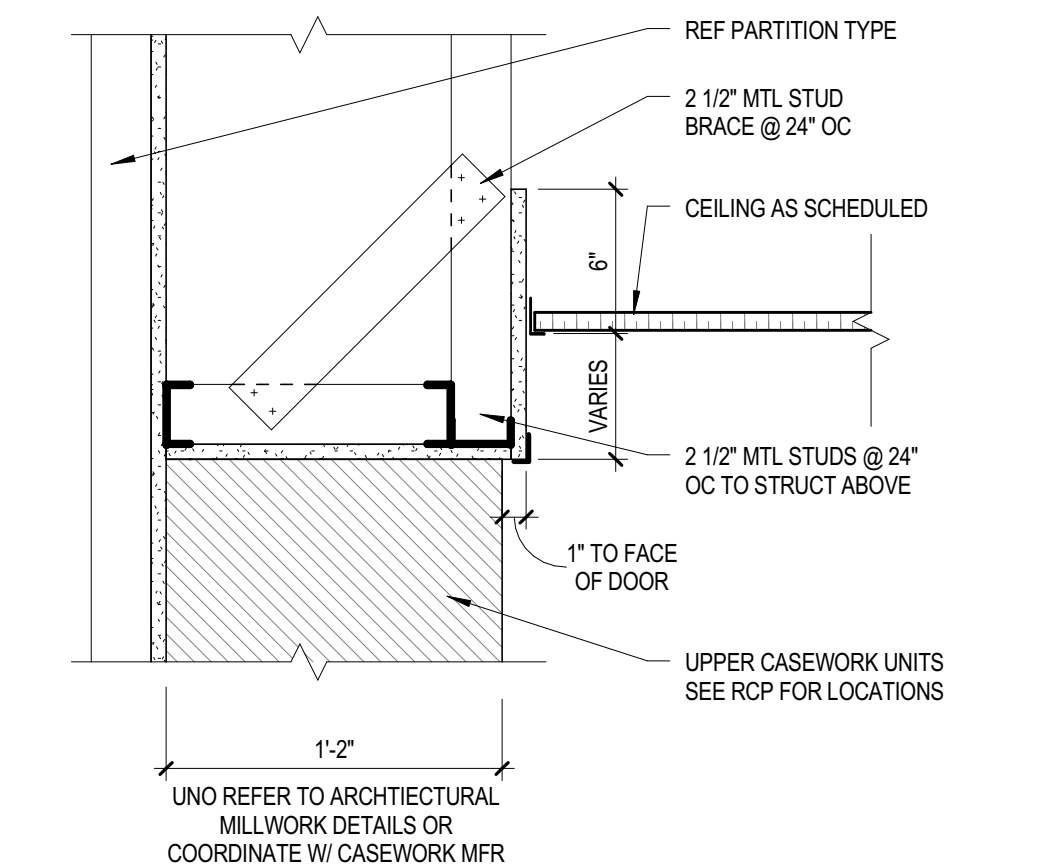
04 DETAIL @ ACOUSTICAL CEILING
1 1/2" = 1'-0"



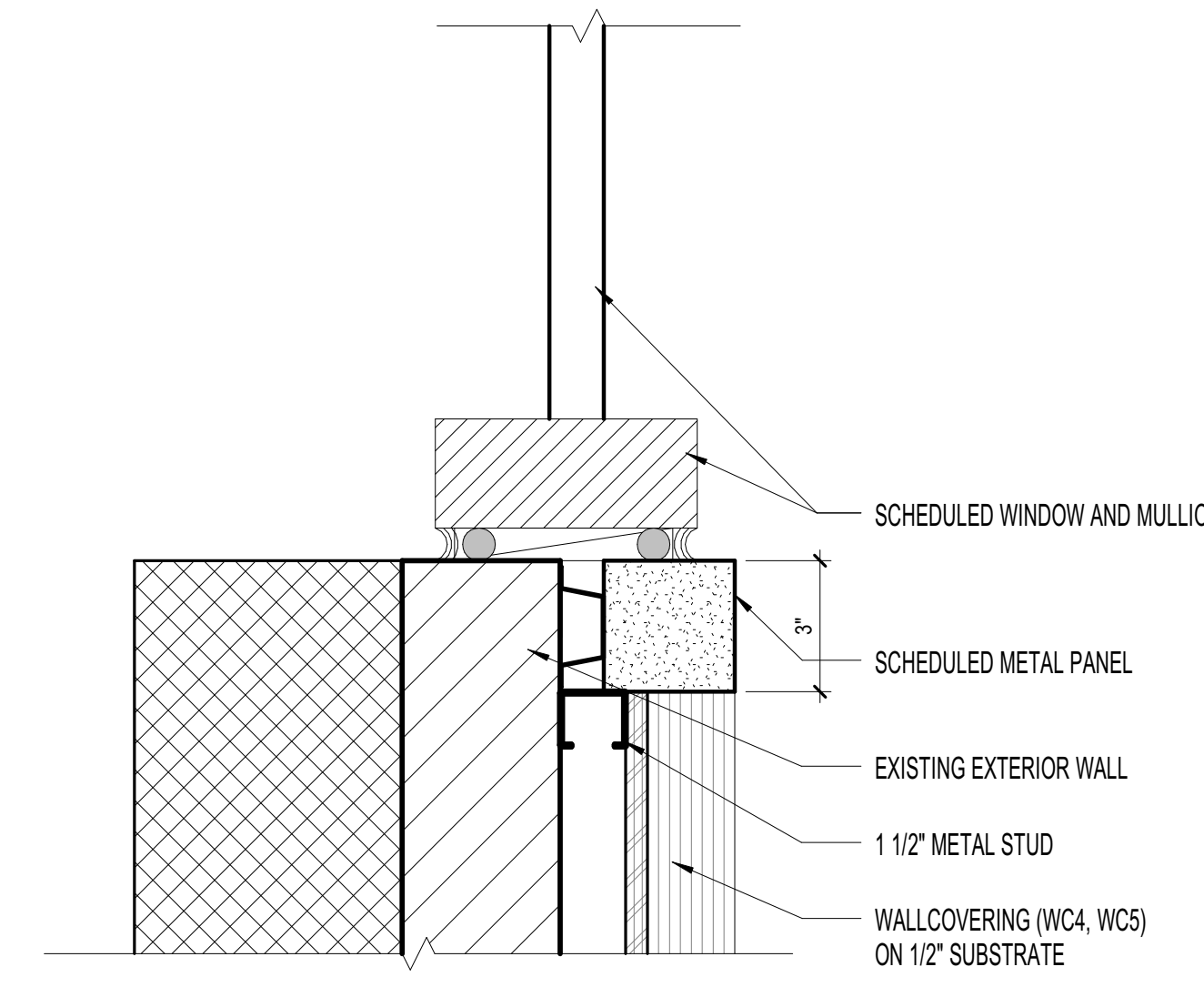
03 DETAIL @ GYPSUM BOARD FURR DOWN
1 1/2" = 1'-0"



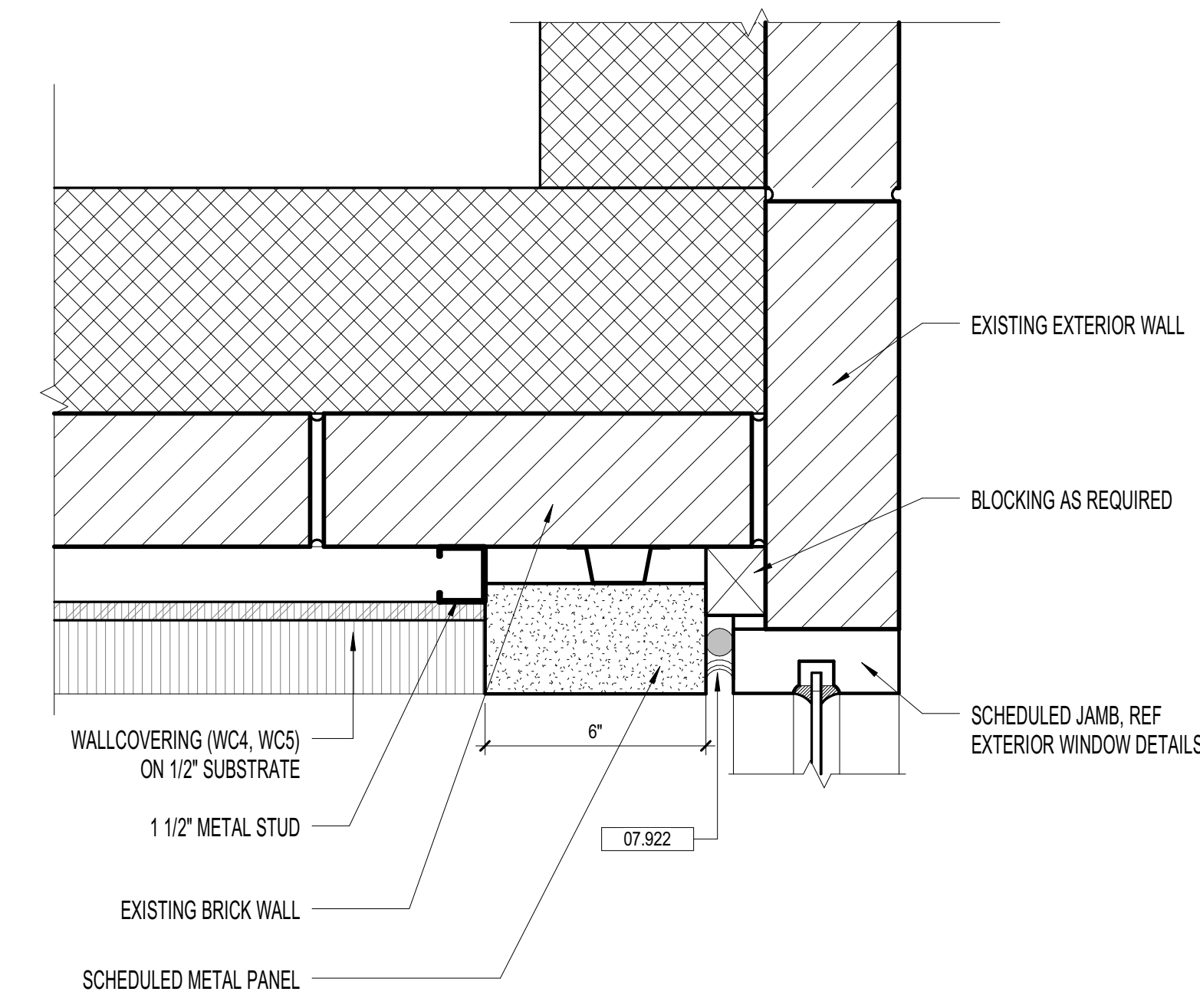
02 DETAIL @ GYPSUM BOARD FURR DOWN
1 1/2" = 1'-0"



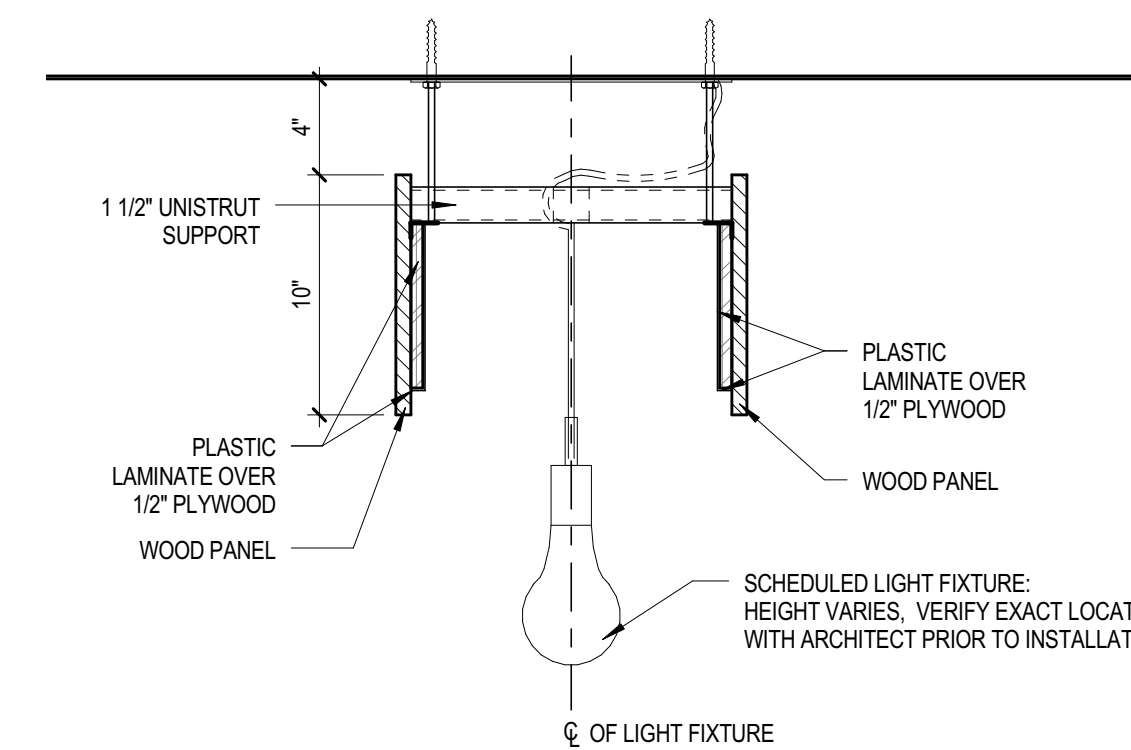
01 DTL @ FURR DOWN ABOVE CABINETS
1 1/2" = 1'-0"



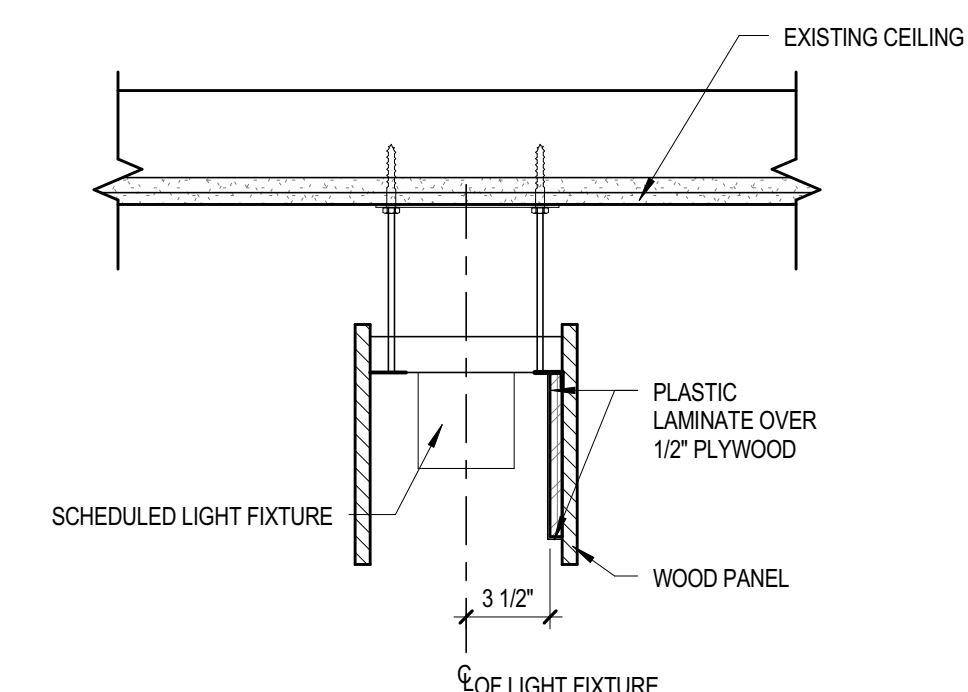
09 DETAIL @ METAL FRAME
3" = 1'-0"



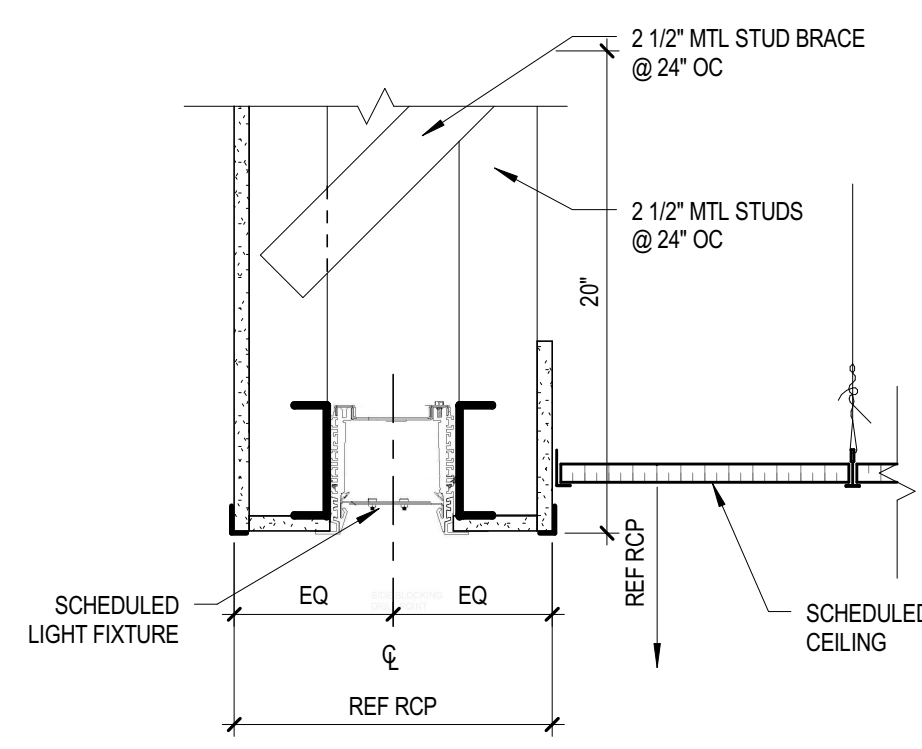
08 DETAIL @ METAL FRAME
3" = 1'-0"



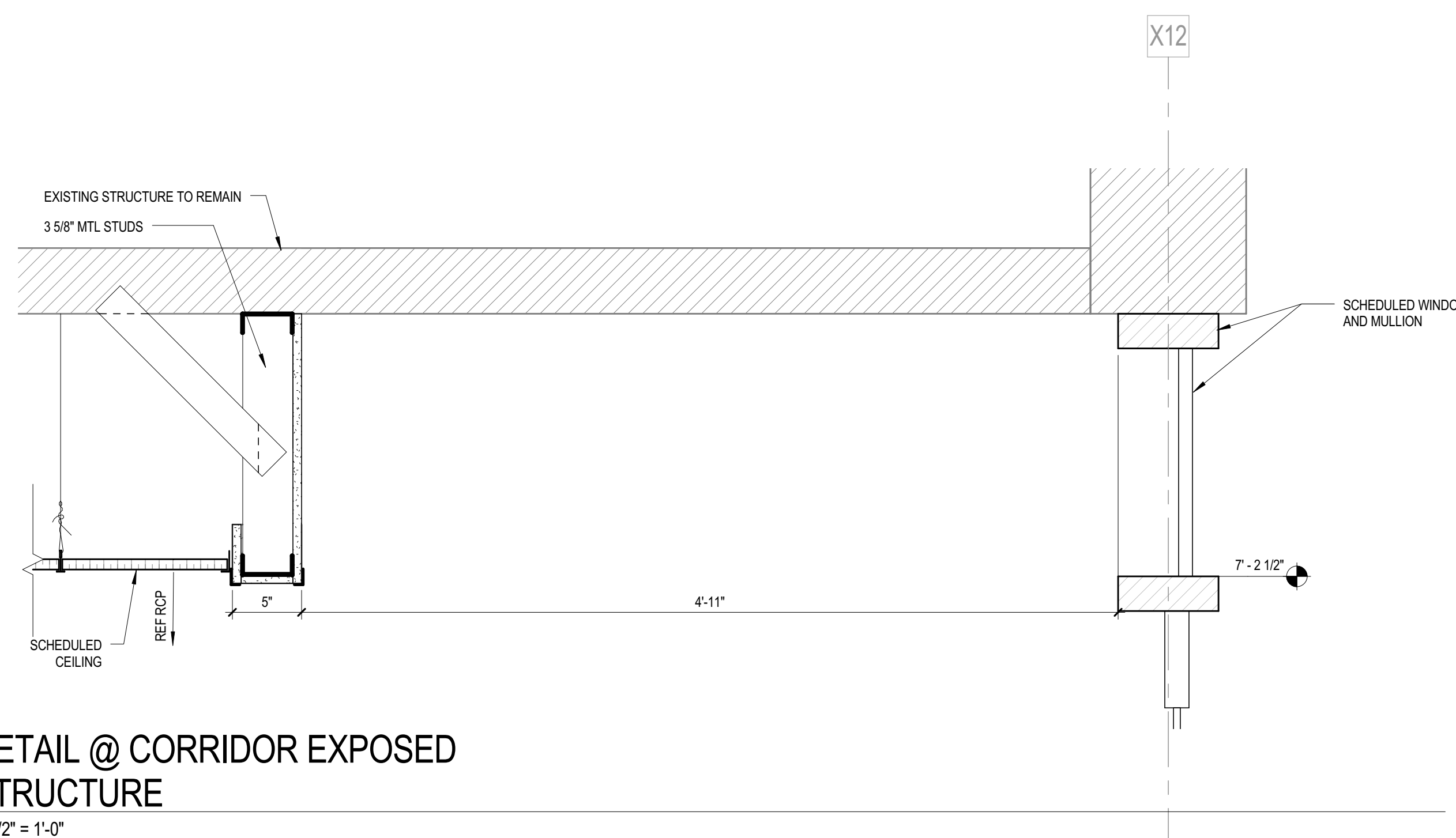
07 DETAIL @ BRKRM CEILING WOOD PANEL
1 1/2" = 1'-0"



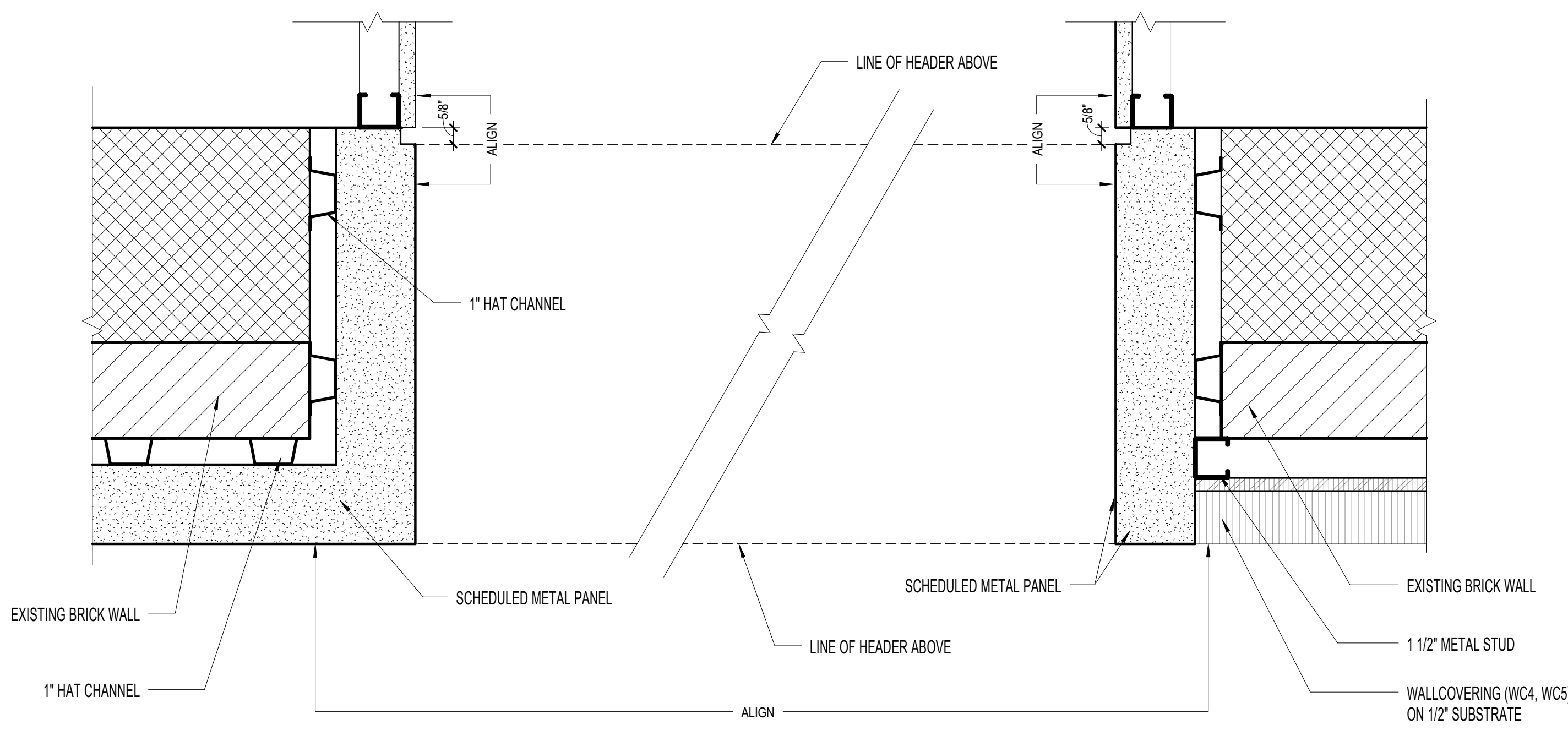
06 DETAIL @ SINGLE CEILING WOOD PANEL
1 1/2" = 1'-0"



12 DETAIL @ GYPSUM BOARD FURR DOWN
1 1/2" = 1'-0"



11 DETAIL @ CORRIDOR EXPOSED STRUCTURE
1 1/2" = 1'-0"



10 DETAIL @ CORRIDOR OPENING
3" = 1'-0"

8/25/2016 9:26:52 AM
\\perkinswill\proj\Dallas\146054-000_1E_Muchent SA\DESIGN\REV\REV\ARCH_JEM_2.rvt

NO.	ISSUE	DATE
Sheet Information		
Date	AUGUST 25, 2016	
Job Number	146054-000	
Drawn	NE	
Checked	TW	
Approved	RGV	
Title		
CEILING AND INTERIOR DETAILS		
Sheet		
A-621		
C1070/201-C		
Copyright © 2013 Perkins+Will		