

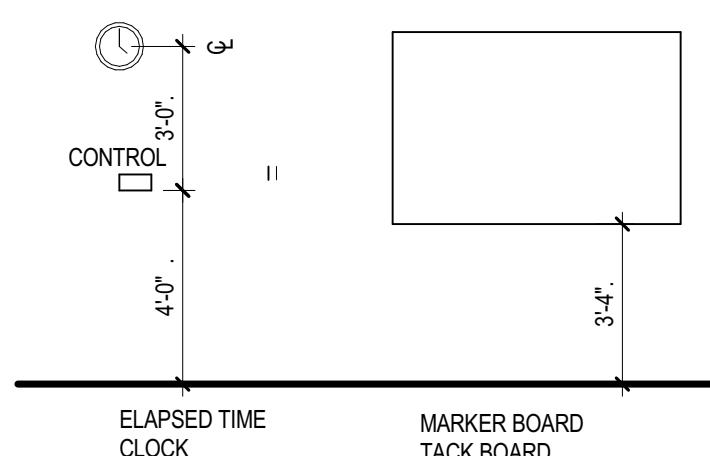
INTERIOR ELEVATION GENERAL NOTES

- SEE ELECTRICAL FOR ELECTRICAL OUTLET, DATA OUTLET AND JUNCTION BOX SPECIFICATIONS. OUTLETS ARE SHOWN HERE FOR PLACEMENT COORDINATION ONLY.
- REFER TO DOOR SCHEDULE FOR ALL DOORS SHOWN.
- REFER TO WINDOW SCHEDULE FOR ALL STOREFRONT SHOWN.

INTERIOR ELEVATION LEGEND

- [TA1] TOILET ACCESSORY. REFER TO A-500 FOR LEGEND.
- OWNER FURNISHED ITEM/ EQUIPMENT
- CONTRACTOR FURNISHED ITEM/ EQUIPMENT
- CABINET WIDTH: $\frac{3}{4} \times \frac{24''}{N1}$
- CABINET TYPE (REF A-54 SERIES FOR DESCRIPTIONS)

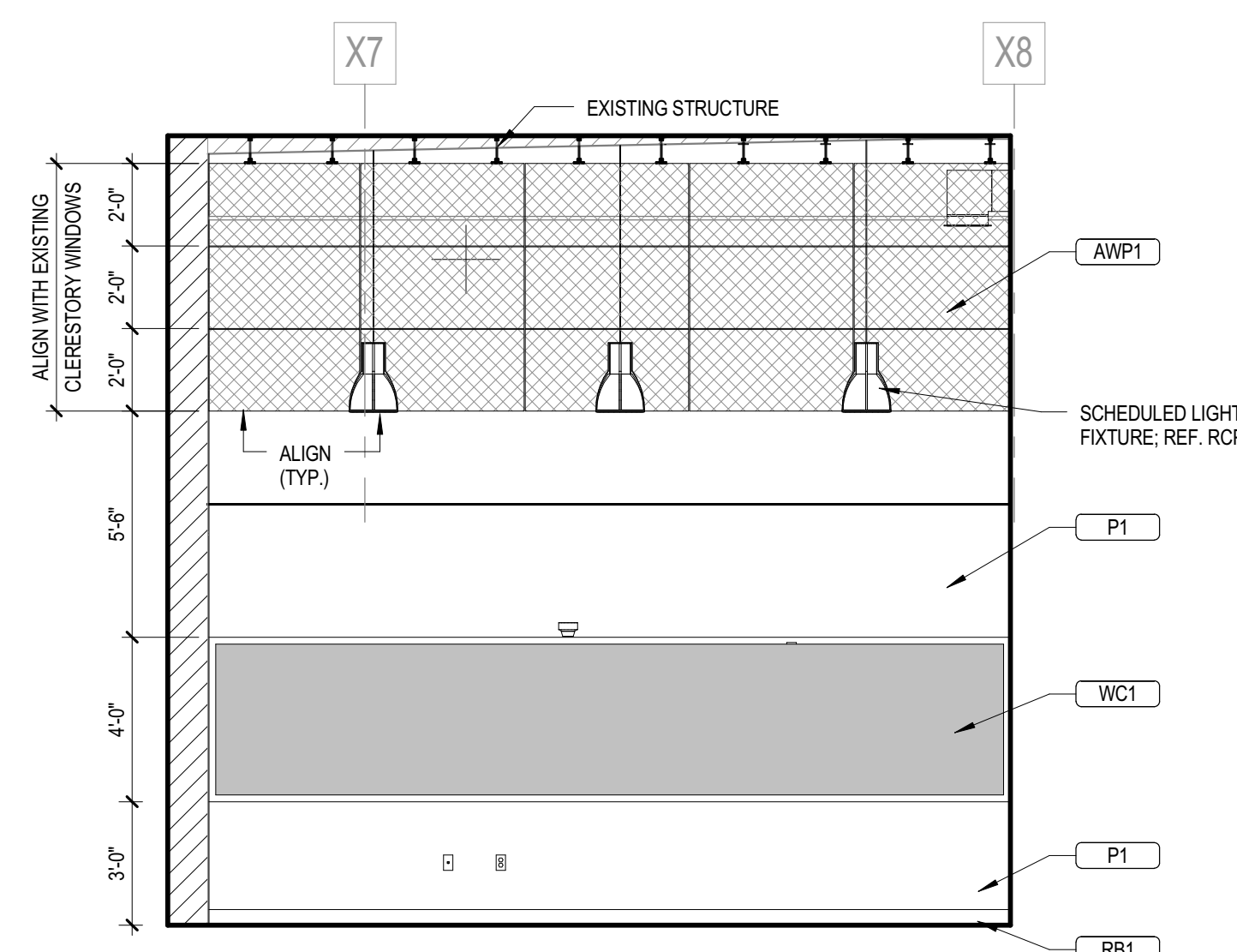
MISCELLANEOUS EQUIPMENT MOUNTING HEIGHTS



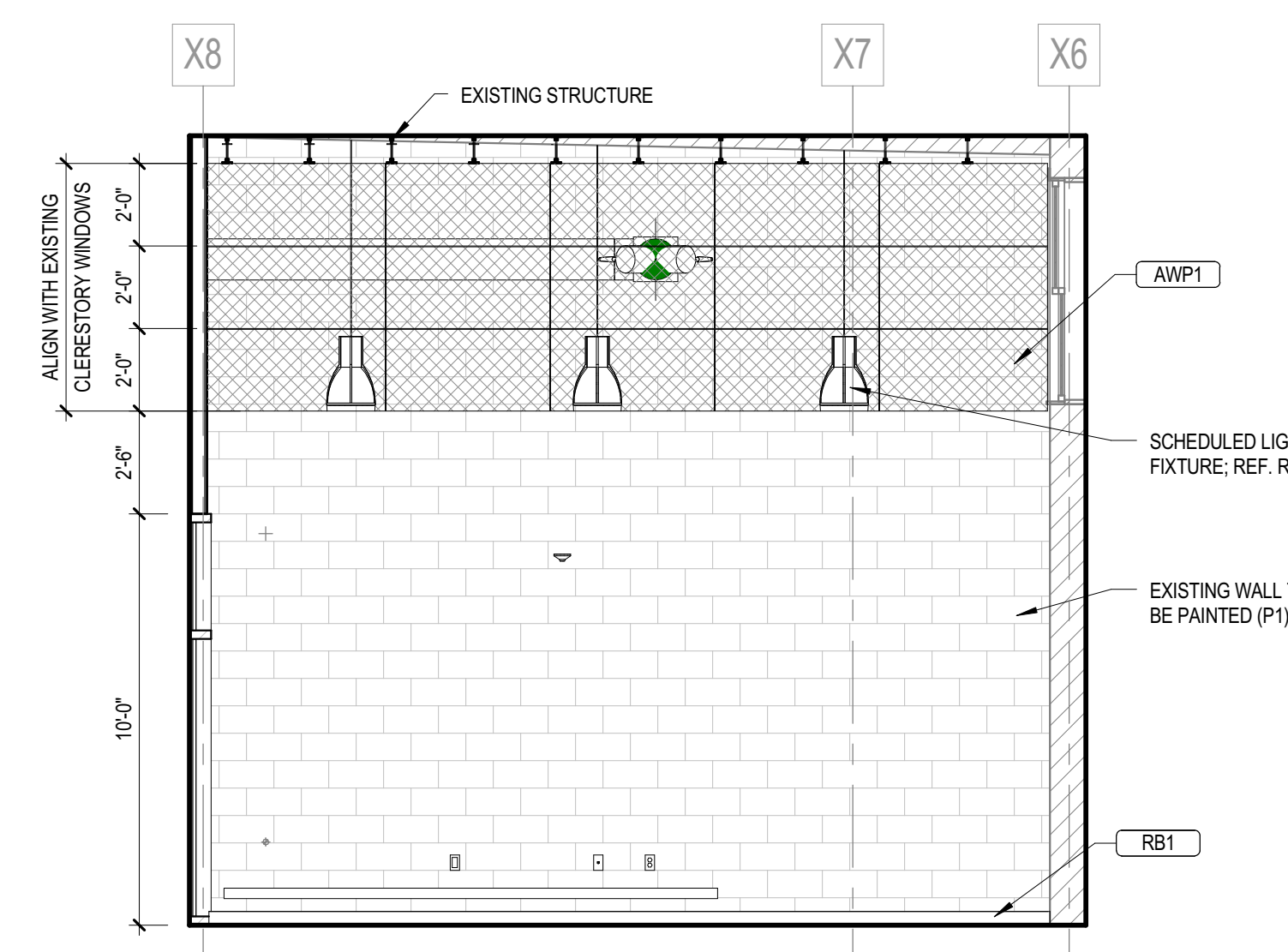
INTERIOR ELEVATION NOTES BY NUMBER

- PERSONAL COMPUTER (PC)
- PRINTER (PF)
- COMPUTER KEYBOARD (CF)
-
-

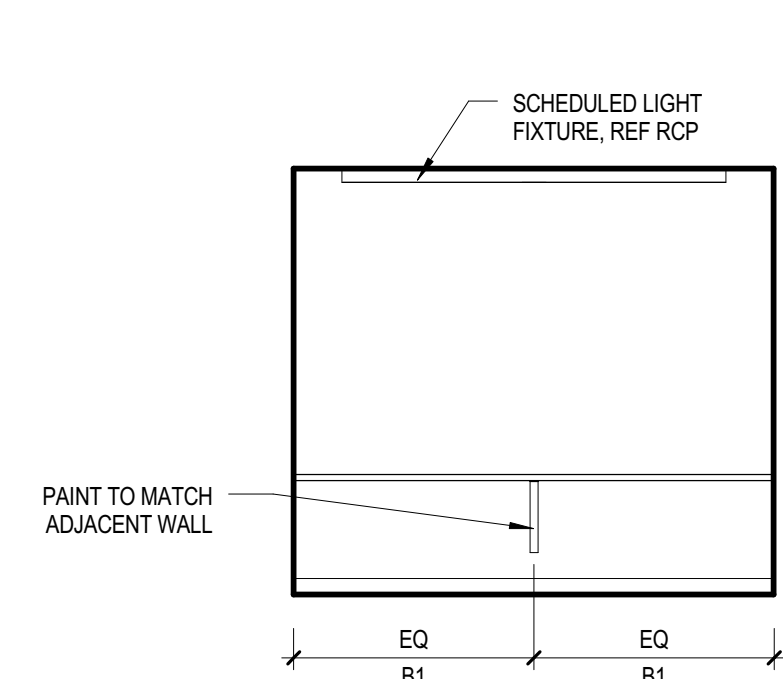
10 CONFERENCE - NORTH
1/4" = 1'-0"



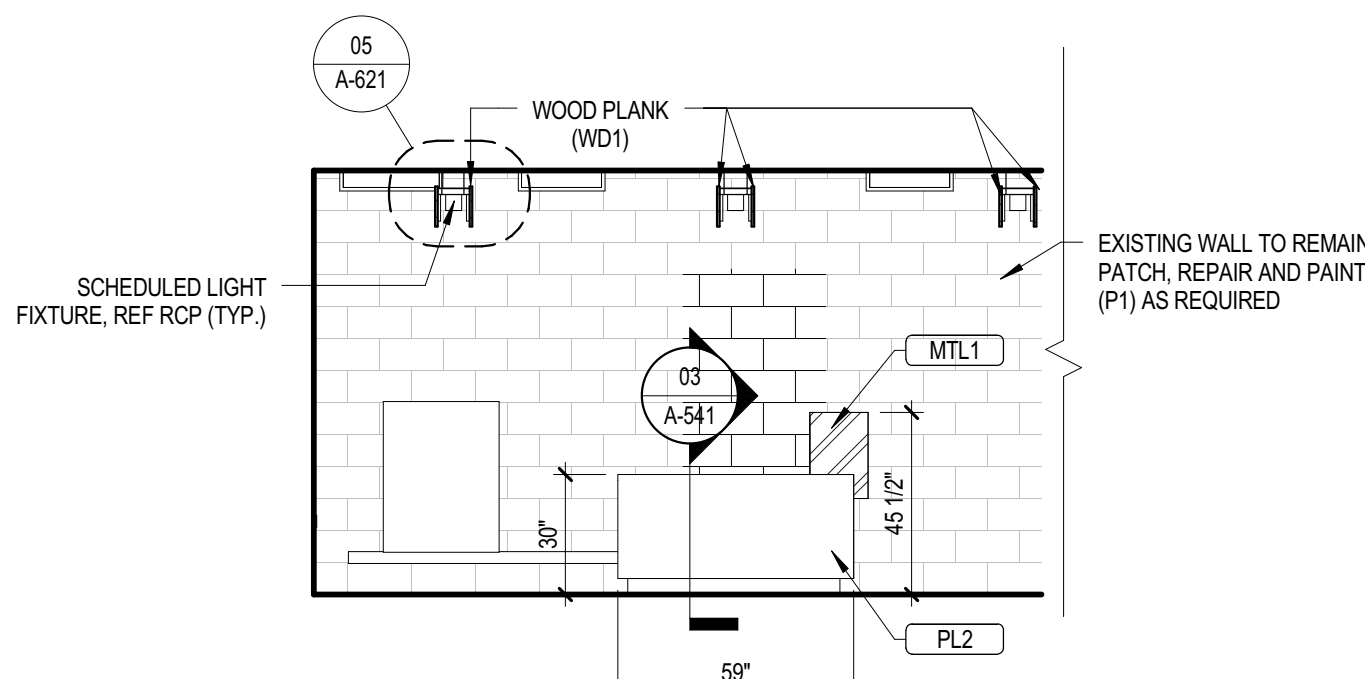
9 CONFERENCE - SOUTH
1/4" = 1'-0"



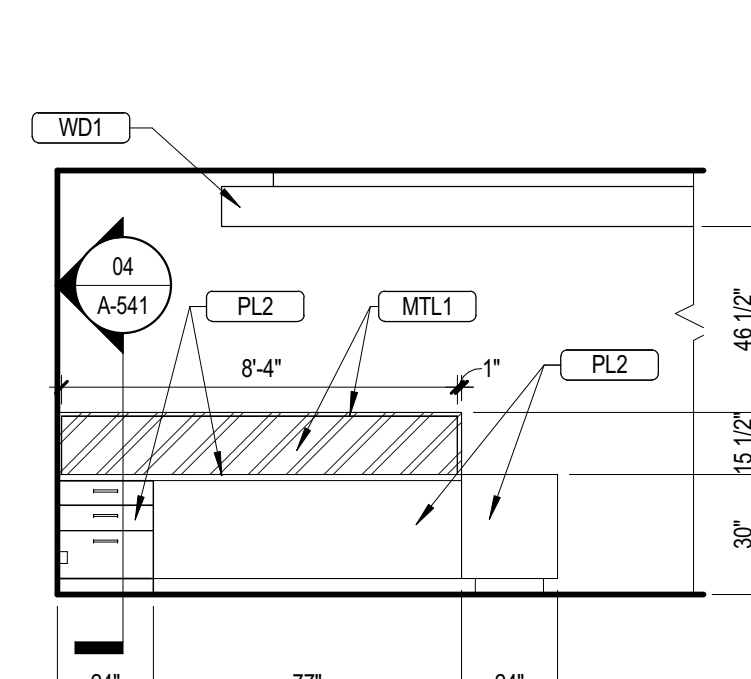
8 RECEPTION - EAST
1/4" = 1'-0"



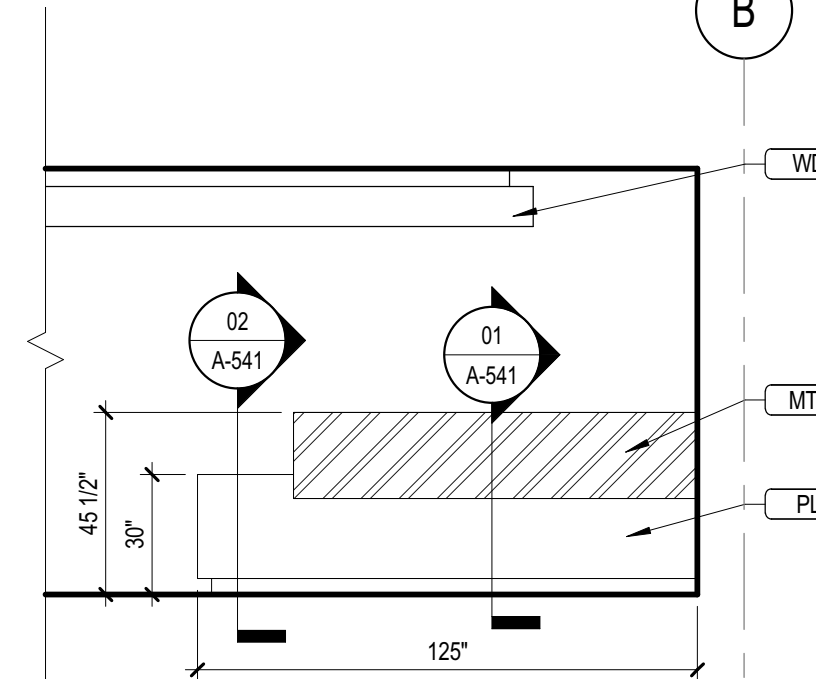
7 RECEPTION DESK - SIDE
1/4" = 1'-0"



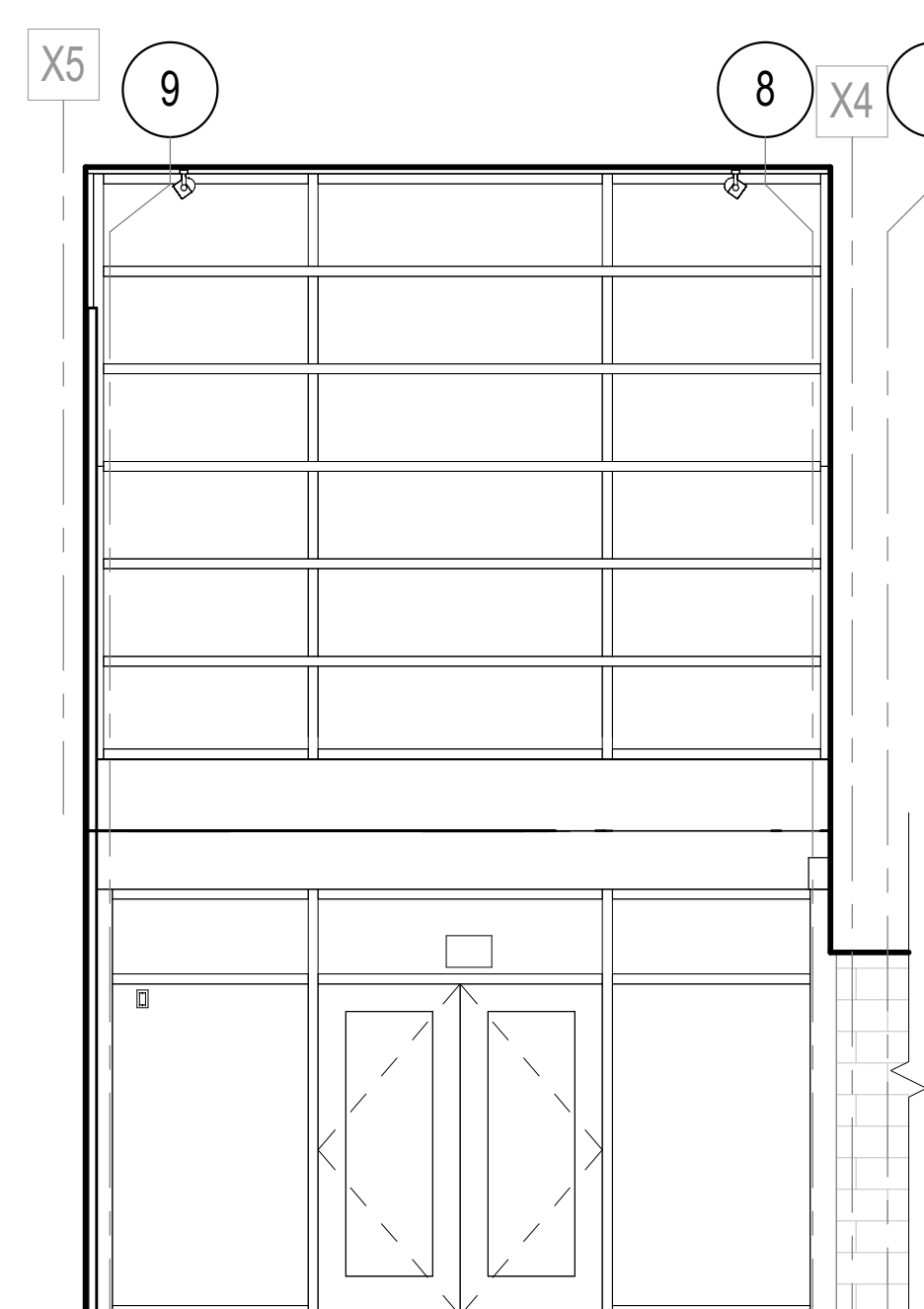
6 RECEPTION DESK - BACK
1/4" = 1'-0"



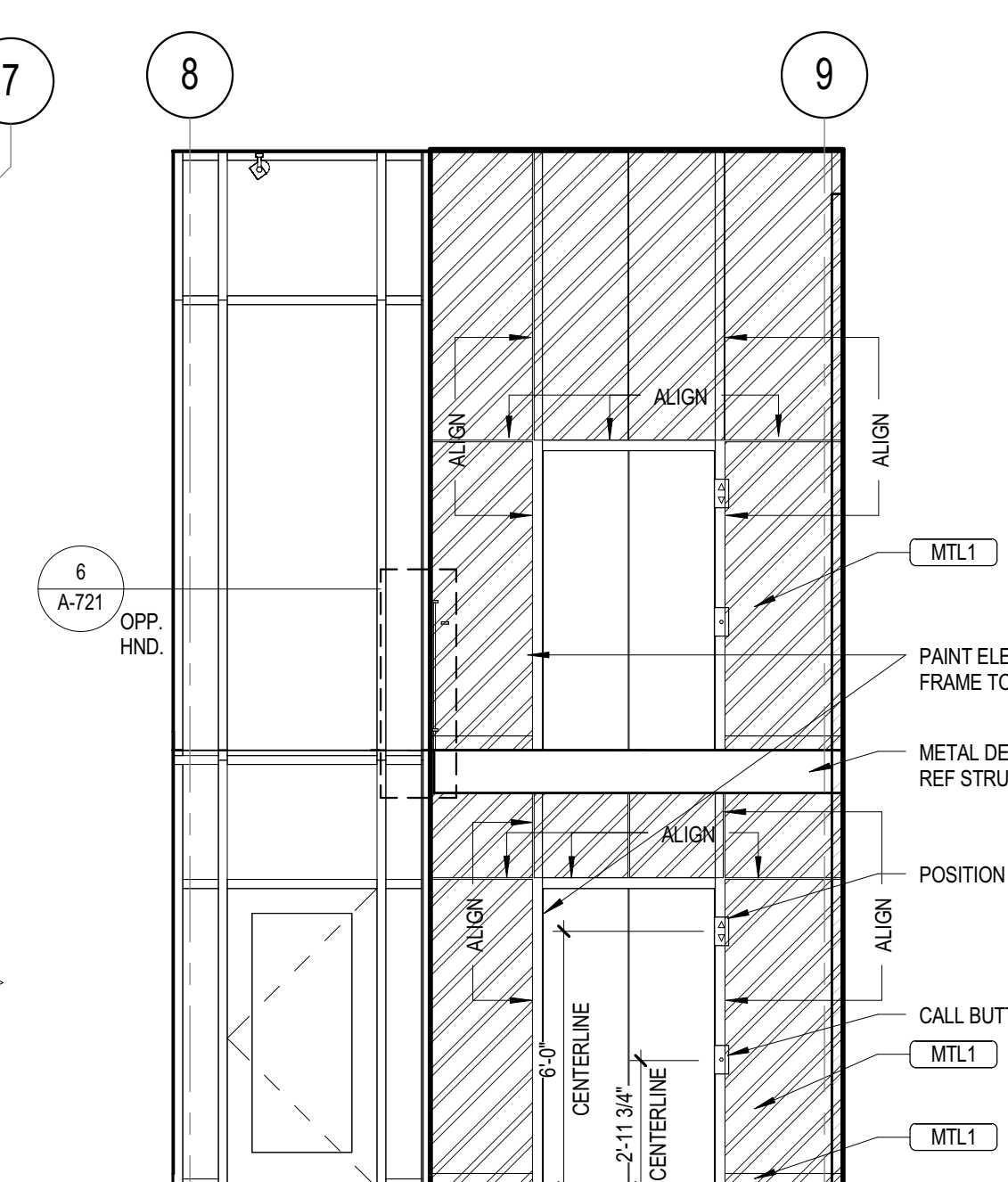
5 RECEPTION DESK - FRONT
1/4" = 1'-0"



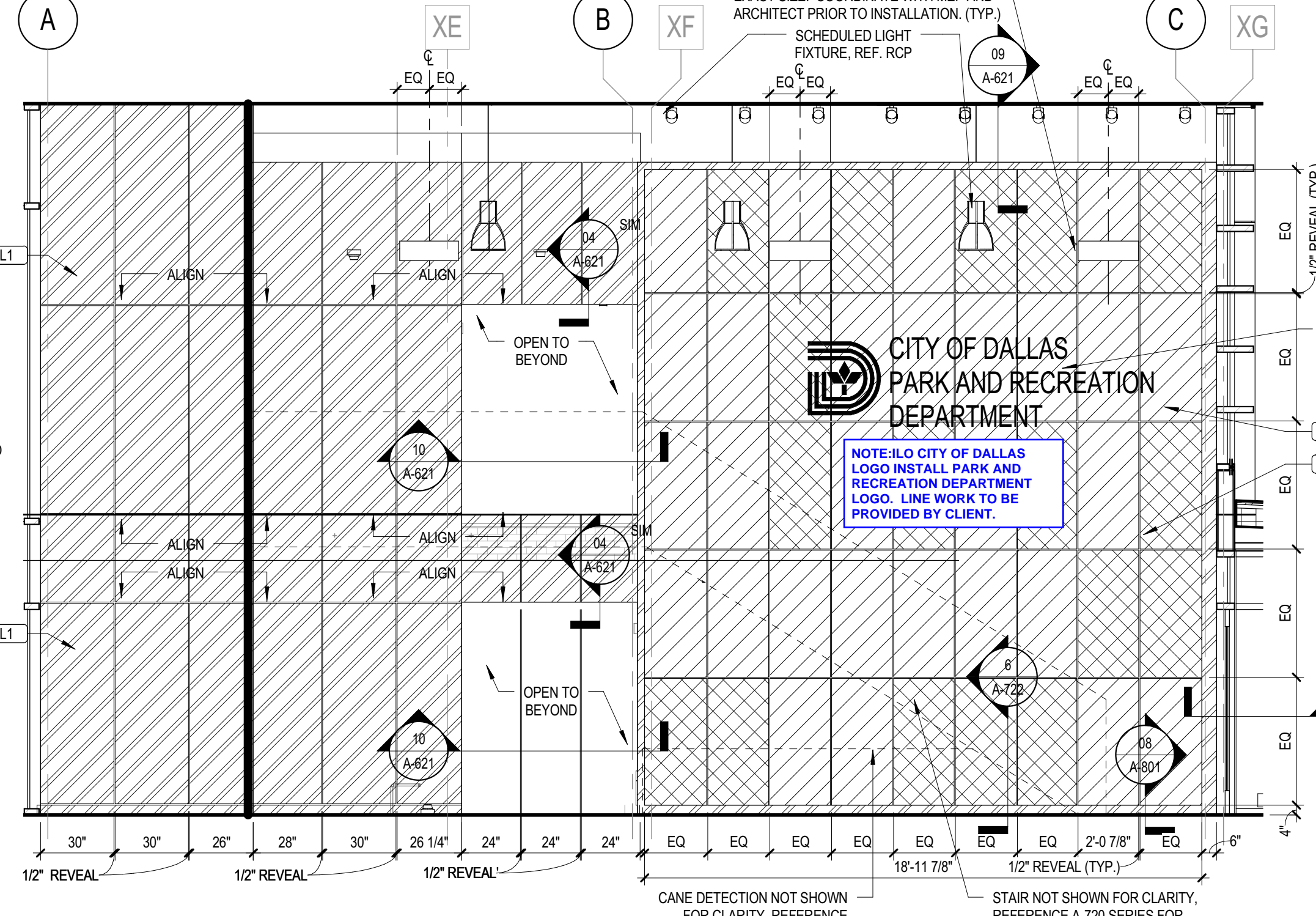
4 LOBBY - SOUTH
1/4" = 1'-0"



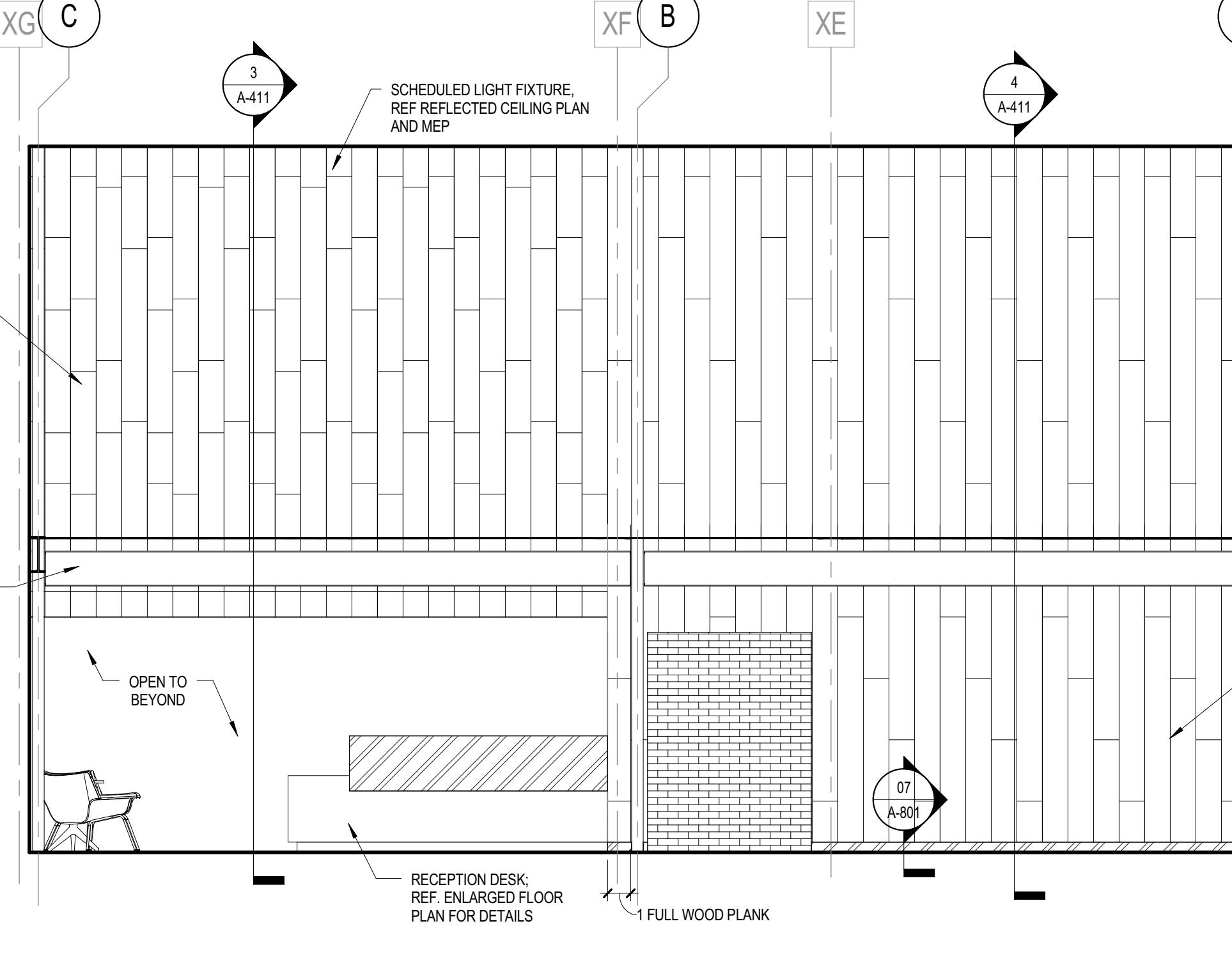
3 LOBBY - NORTH
1/4" = 1'-0"



2 LOBBY - EAST
1/4" = 1'-0"



1 LOBBY - WEST
1/4" = 1'-0"



08/25/16

Revisions

NO.	ISSUE	DATE
Sheet Information		
Date	AUGUST 25, 2016	
Job Number	146054.000	
Drawn	NE	
Checked	TW	
Approved	RGV	

INTERIOR ELEVATIONS

Sheet
A-524